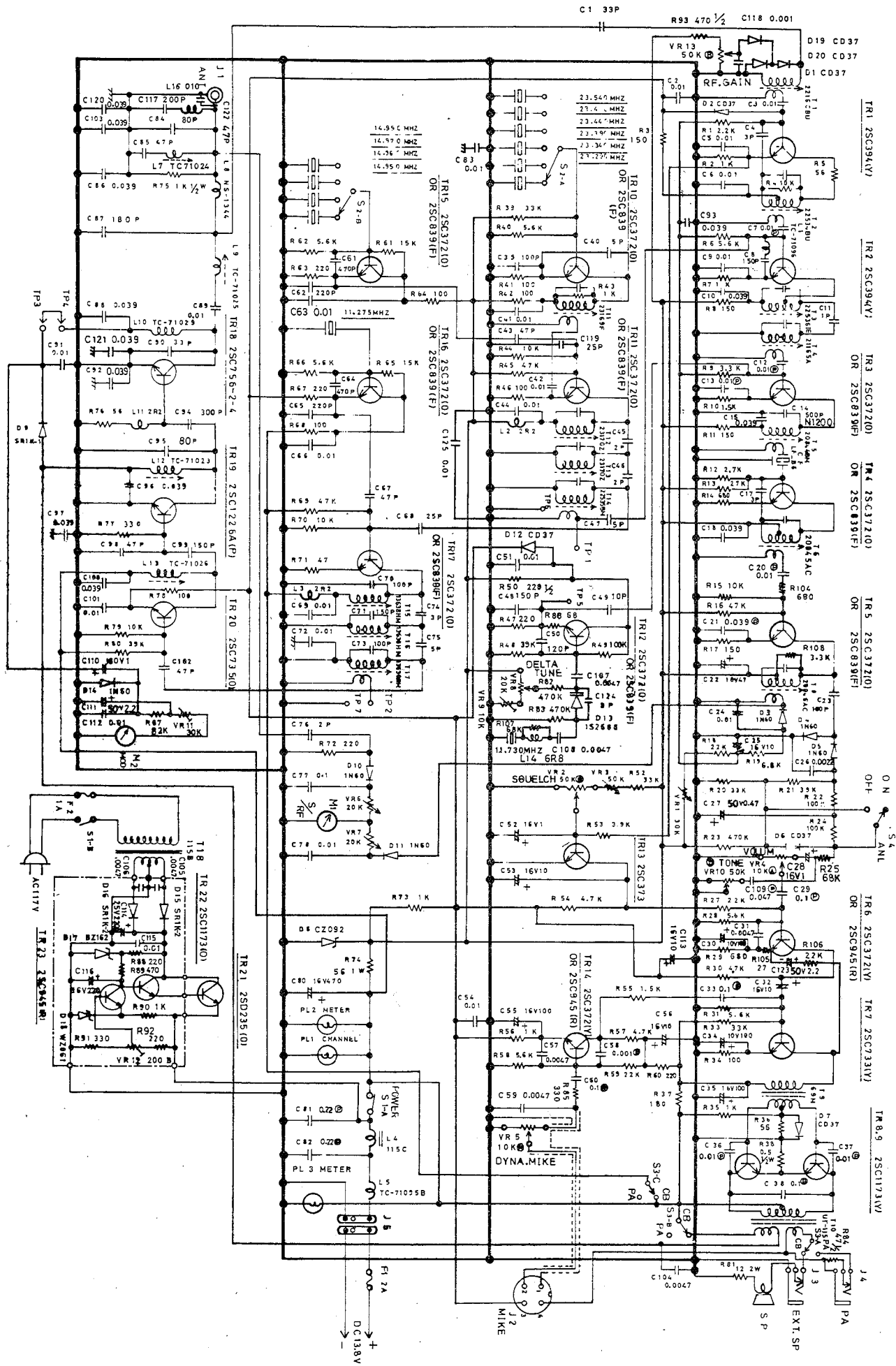


CIRCUIT DIAGRAM FOR COBRA CAM-89



PARTS LIST FOR COBRA CAM-89

CIRCUIT SYMBOL	DESCRIPTION	DYNASCAN PART NO.
TRANSISTORS, DIODES		
TR-21	Transistor 2SC235(O).....	176-042-9-007
TR-8,9	Transistor 2SC1173(Y).....	172-014-9-001
TR-36	Transistor 2SC1173(O).....	172-014-9-003
TR-19	Transistor 2SC1226A(P).....	176-042-9-005
TR-18	Transistor 2SC756-2-4.....	172-014-9-002
TR-1,2	Transistor 2SC394(Y).....	176-042-9-001
TR-3,4,5,10,11,12,15,16,17	Transistor 2SC372(O) or 2SC839(F).....	176-042-9-002
TR-6,14,37	Transistor 2SC372(Y) or 2SC945(R).....	176-042-9-003
TR-7	Transistor 2SC733(Y).....	176-042-9-004
TR-13	Transistor 2SC373.....	176-025-9-001
TR-20	Transistor 2SC735(O).....	176-042-9-006
D-1,2,6,7,12,19,20	Diode CD37.....	151-040-9-002
D-3,4,5,10,11,14	Diode 1N60.....	150-001-9-005
D-9	Diode SR1K-1.....	151-040-9-003
D-62,63	Diode SR1K-2.....	151-045-9-001
D-8	Diode CZ092.....	152-051-9-001
D-61	Diode BZ162.....	152-057-9-001
D-60	Diode WZ061.....	152-052-9-002
D-13	Diode IS2688C.....	153-004-9-001

MISCELLANEOUS

CF	Ceramic Filter LF-B6.....	140-009-9-001
----	---------------------------	---------------

COILS, TRANSFORMERS

L-7	TVI Trap Coil TC-71024.....	041-056-9-003
L-3	Ant. Filter Coil NS-1344.....	044-028-9-001
L-9	TX Matching Coil TC-71025.....	044-028-9-002
L-10	TX Final Coil TC-71029.....	044-028-9-003
L-12	TX Driver Coil TC-71023.....	044-028-9-004
L-13	TX Pre-Driver Coil TC-71026.....	044-028-9-005
L-1	14MHz Trap Coil TC-71096.....	041-056-9-001
L-5	RF Choke Coil TC-71095B.....	042-011-9-001
T-1	RX Ant. Coil TKXN-22160BU.....	066-017-9-001
T-2	RX RF Amp. Coil TKXC-22534BU.....	066-017-9-002
T-11	23MHz OSC Coil TKXC-23169F.....	066-017-9-003
T-12,13	38MHz Filter Coil TKXC-23170Z.....	066-017-9-004
T-14	38MHz TKXC-223535BM Filter Coil.....	066-017-9-005
T-15,16	TX 27MHz Filter Coil KXN-13638HM.....	066-017-9-006
T-17	TX KXN-13636BM 27MHz Filter Coil.....	066-017-9-007
T-3	1st IFT Coil TKAC-22536IE.....	060-016-9-001
T-4	1st IFT Coil TKAC-21165A.....	060-016-9-002
T-5	2nd IFT Coil YLN-208448M.....	060-016-9-003
T-6	2nd IFT Coil YMC-20845AC.....	060-016-9-004
T-8	2nd IFT Coil YMC-20846AC.....	060-016-9-005
T-18	Power Transformer N60-7979PT.....	065-103-9-001
T-9	AF Input Transformer 69M.....	061-022-9-001
T-10	AF Output Transformer N28-7518BM.....	061-022-9-002
L-2,3,11	Micro Inductor LF4 2R2K.....	041-056-9-002

CIRCUIT SYMBOL	DESCRIPTION	DYNASCAN PART NO.
CAPACITORS (Continued)		
C-22	Electrolytic Capacitor 47 F +100 -10 % 10V.....	022-120-9-002
C-30,34	Electrolytic Capacitor 100 F +100 -10 % 10V.....	022-099-9-004
C-35,55	Electrolytic Capacitor 100 F +100 -10 % 16V.....	022-120-9-004
C-201	Electrolytic Capacitor 220 F +100 -10 % 16V.....	022-122-9-008
C-80	Electrolytic Capacitor 470 F +100 -10 % 16V.....	022-099-9-006
C-203	(ECE-T25R2200Z) Electrolytic Capacitor 220 F 25V.....	022-007-9-007

CRYSTALS

C-203	Crystal 23.290 MHz (2007B).....	133-004-9-001
	Crystal 23.340 MHz (2007B).....	133-004-9-002
	Crystal 23.390 MHz (2007B).....	133-004-9-003
	Crystal 23.440 MHz (2007B).....	133-004-9-004
	Crystal 23.490 MHz (2007B).....	133-004-9-005
	Crystal 23.540 MHz (2007B).....	133-004-9-006
	Crystal 14.950 MHz (2006B).....	133-004-9-007
	Crystal 14.960 MHz (2006B).....	133-004-9-008
	Crystal 14.970 MHz (2006B).....	133-004-9-009
	Crystal 14.990 MHz (2006B).....	133-004-9-010
	Crystal 11.730 MHz (2005B).....	133-004-9-012
	Crystal 11.275 MHz (2005B).....	133-004-9-011
	Crystal Socket S-00105.....	749-079-9-001

MISCELLANEOUS

J-1	M-R Connector.....	772-025-9-001
J-2	Metal Consent SM144 (4P).....	773-045-9-001
J-5	3F Consent CN3795.....	733-054-9-001
J-3,4	Jack SJ-296 3.5.....	773-045-9-002
	Speaker 107D10T (1.5W).....	580-015-9-001
S-2	Rotary Switch 1-2-24 (4S32COOO-A).....	083-162-9-001
S-4	Slide Switch SL-2-2-2-14 (white).....	084-036-9-001
S-3	Slide Switch SL-3-3-2-03 (white).....	084-036-9-002
M-1	Meter S/RF.....	320-055-9-001
M-2	Meter Mod.....	320-054-9-001

CIRCUIT SYMBOL	DESCRIPTION	DYNASCAN PART NO.
COILS, TRANSFORMERS (Continued)		
L-14	Micro Inductor LF4 6R8K.....	041-061-9-002
L-16	Micro Inductor LF4010.....	041-062-9-001
L-4	Line Filter Choke 115C.....	044-028-9-006

RESISTORS CONTROLS

R-38	Metalized Resistor 0.5 ohm 1/4W K.....	004-012-9-001
R-81	Metalized Resistor 12 ohm 2W K.....	013-005-9-001

CAPACITORS

C-11	Ceramic Capacitor 1P 50V C. SL.....	020-109-9-006
C-45,46,76	Ceramic Capacitor 2P 50V C. SL.....	020-109-9-007
C-4,17,74	Ceramic Capacitor 3P 50V SL.....	020-109-9-003
C-40,75,47	Ceramic Capacitor 5P 50V SL.....	020-109-9-010
C-49	Ceramic Capacitor 10P 50V K. SL.....	020-109-9-012
C-122	Ceramic Capacitor 20P 50V SL.....	020-127-9-001
C-68,119	Ceramic Capacitor 25P 50V SL.....	020-109-9-015
C-190	Ceramic Capacitor 33P 50V SL.....	020-125-9-001
C-43,67,85,98,102	Ceramic Capacitor 47P 50V SL.....	020-109-9-001
C-23,39,70,73,95	Ceramic Capacitor 100P 50V SL.....	020-109-9-008
C-50,84	Ceramic Capacitor 120P 50V SL.....	020-125-9-004
C-8,71,99,48	Ceramic Capacitor 150P 50V SL.....	020-109-9-004
C-62,65,87	Ceramic Capacitor 220P 50V SL.....	020-109-9-013
C-94	Ceramic Capacitor 250P 50V SL.....	020-125-9-005
C-117	Ceramic Capacitor 200P 50V SL.....	020-127-9-002
C-61,64	Ceramic Capacitor 470P 50V SL.....	020-109-9-014
C-14	Ceramic Capacitor 500P 50V K (N1200).....	020-127-9-003
C-118	Ceramic Capacitor 0.001 F 50V Z.....	020-125-9-006
C-26	Ceramic Capacitor 0.0022 F 50V Z.....	020-132-9-001
C-31,57,59,104,105,107,108,106	Ceramic Capacitor 0.0047 F 50V Z.....	020-127-9-004
C-2,3,5,6,9,24,41,42	Ceramic Capacitor 0.01 F 50V Z.....	020-109-9-002
44,51,54,63,66,69,72,78,83,89,91,101,112,204,202,205,	Ceramic Capacitor 0.039 F 50V Z.....	020-127-9-005
C-10,15,18,86,88,92	Ceramic Capacitor 0.039 F 50V Z.....	020-127-9-005
93,96,97,100,103,120,121.		
C-77	Ceramic Capacitor 0.1 F 12V Z.....	020-127-9-006
C-58	Mylar Capacitor 0.001 F 50V K.....	025-074-9-003
C-7,12,13,20,36,37	Mylar Capacitor 0.01 F 50V K.....	025-087-9-001
C-109	Mylar Capacitor 0.047 F 50V K.....	025-074-9-005
C-16,21	Mylar Capacitor 0.1 F 50V K.....	025-074-9-002
C-38,38,60	Mylar Capacitor 0.1 F 50V K.....	025-074-9-002
C-81,628	Mylar Capacitor 0.22 F 50V K.....	025-074-9-006
C-27	Electrolytic Capacitor 0.47 F +75 -10 % 50V.....	022-122-9-016
C-28,29,52	Electrolytic Capacitor 1 F +150 -0 % 16V.....	022-099-9-003
C-110	Electrolytic Capacitor 1 F +150 -0 % 50V.....	022-122-9-001
C-25,32,53,56,113.	Electrolytic Capacitor 10 F +100 -10 % 16V.....	022-120-9-001

CIRCUIT SYMBOL	DESCRIPTION	DYNASCAN PART NO.
RESISTORS, CONTROLS		
VR-10,13,2	Variable Resistor 50K ohm B 24 Tone SQ RF Gain.....	008-210-9-006
VR-8	Variable Resistor 20K ohm B 16 Voice Lock.....	008-210-9-004
VR-4, Si-A, Si-B	Variable Resistor 10K ohm A 24 Vol on/off.....	008-210-9-005
VR-5	Variable Resistor 10K ohm A 24 Dynamike.....	008-210-9-003
VR-3	Semi-Fixed Resistor 50K ohm 2P 68BM.....	008-209-9-008
VR-1,11	Semi-Fixed Resistor 30K ohm 2P 68M.....	008-209-9-009
VR-6,7	Semi-Fixed Resistor 20K ohm 2P 63BM.....	008-209-9-010
VR-9	Semi-Fixed Resistor 10K ohm 2P 68M.....	008-209-9-011
VR-19	Semi-Fixed Resistor 200ohm 3P 58M.....	008-209-9-012

MISCELLANEOUS

PL-1	Microphone DF-107B (SKI).....	562-006-9-001
PL-2,3	Microphone Hanger 12-42438-01.....	741-074-9-001
	Pilot Lamp 14V 50mA 250m/m (Red) Lead Wire.....	400-035-9-004
	Pilot Lamp 14V 50mA 250m/m White Lead Wire.....	400-035-9-001
	Chassis SPT 11.0t/ZMC-3 M1-02420.....	257-059-9-001
	Back Panel SPC-11.0t/ZMC-3 M2-02403.....	262-012-9-001
	Bonnet (Top Cabinet) M2L02404.....	253-036-9-001
	Bottom Cabinet M2-02405.....	252-015-9-001
	(Left) UT-69C-008	
	Front Panel Setting Metal M4-00162.....	251-131-9-001
	(Right) UT-69C-009	
	Front Panel Setting Metal M4-00163.....	251-132-9-001
	Front Panel M1-02401.....	380-213-9-001
	Knob, Channel M4-01727.....	751-095-9-001
	Knob, Volume, Squelch, Etc. M4-01728.....	751-095-9-002
	Channel Number Disc. M4-01957.....	380-176-9-002
	Front Plate M3-02423.....	260-050-9-001
	Brand Plate M3-02424.....	260-051-9-001
	Brand Plate for Microphone M4-02296.....	260-047-9-001
	Speaker Net M4-02413.....	763-025-9-001
	Rubber Foot 25 x17H(Black).....	381-058-9-001
	Styrofoam Box (Right & Left) M2-02415/16.....	503-080-9-001
	Display Box M3-02427.....	500-239-9-001
	Instruction Manual.....	480-140-9-001
	Schematic & Parts List.....	499-064-9-001
	FCC Application Form.....	492-041-9-001
	Warranty Card.....	491-138-9-001
	Service Dept. Address List.....	492-036-0-000