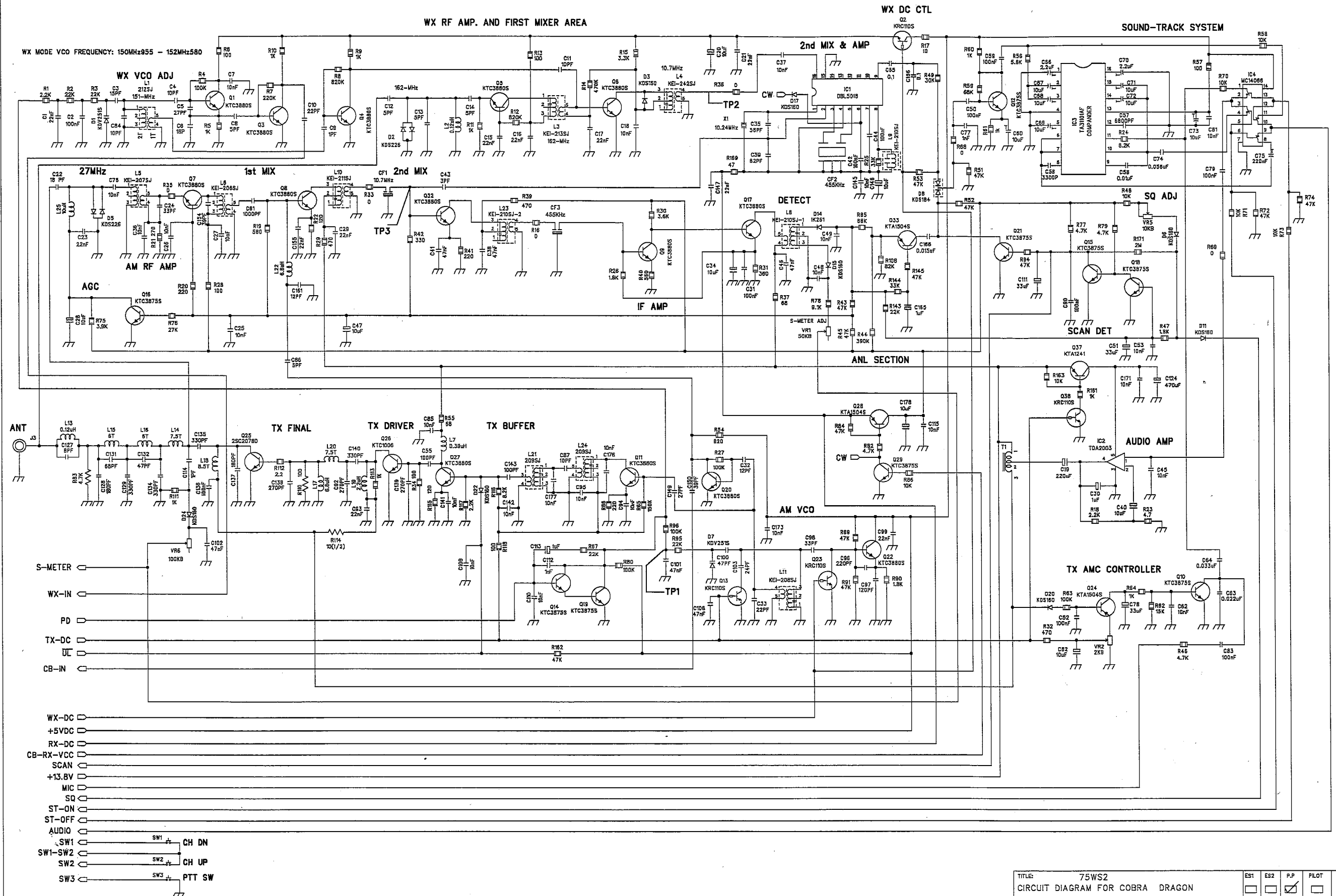


CIRCUIT DIAGRAM FOR COBRA DRAGON

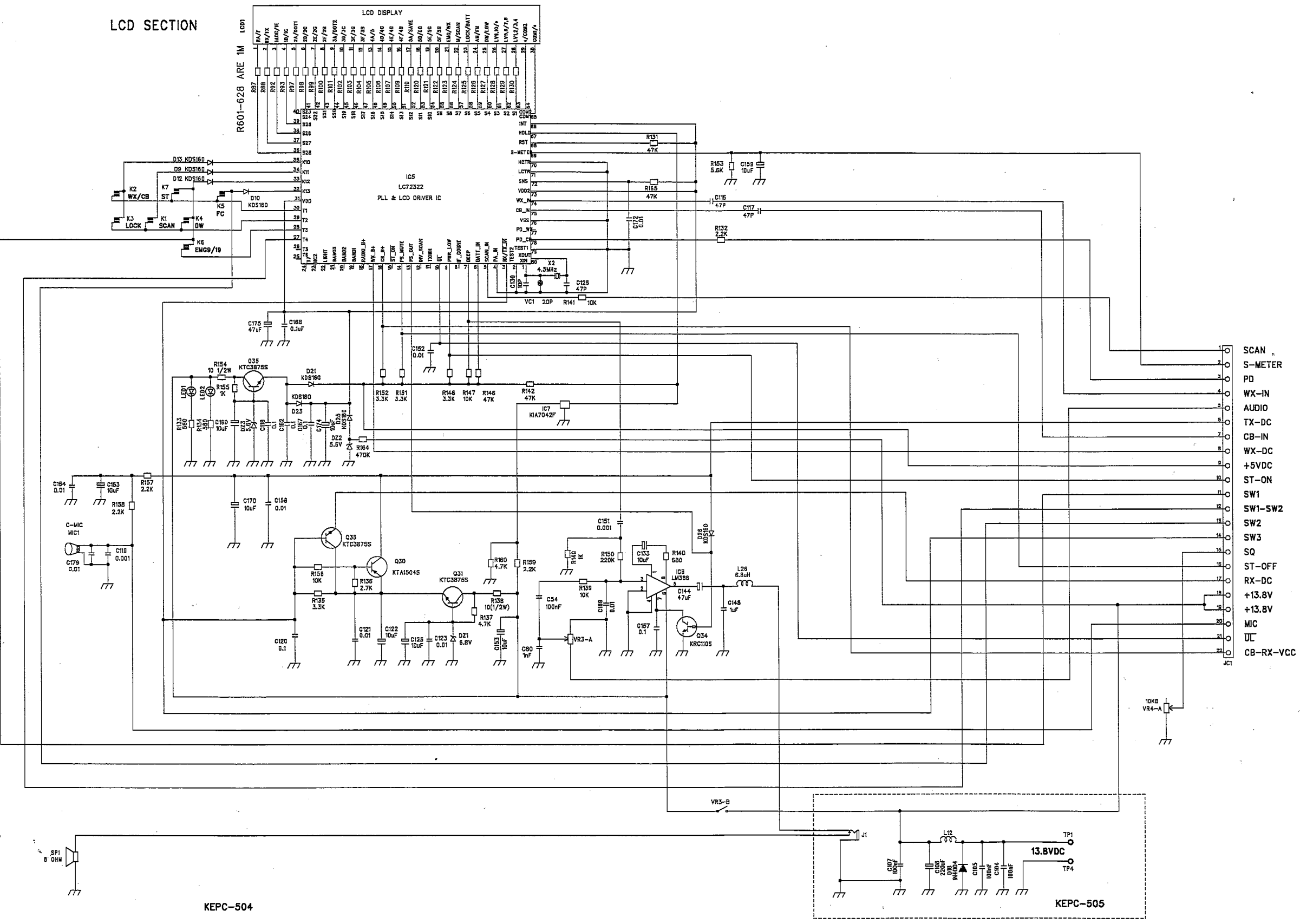


KEPC-503

COMPANY:

TITLE: 75WS2	EST: <input type="checkbox"/>	ES2: <input type="checkbox"/>	P.P: <input checked="" type="checkbox"/>	PILOT: <input type="checkbox"/>	FINAL: <input type="checkbox"/>
CIRCUIT DIAGRAM FOR COBRA DRAGON					
DRAWN: XW PENG	DATE: JAN-08-2000	SHEET: 1 OF 2	VER: 05		
APPROVED BY: []	DATE: []	UPDATE: FEB-20-2001	FILE NAME: 75WS2.SCH		

LCD SECTION



- 1 SCAN
- 2 S-METER
- 3 PD
- 4 WX-IN
- 5 AUDIO
- 6 TX-DC
- 7 CB-IN
- 8 WX-DC
- 9 +5VDC
- 10 ST-ON
- 11 SW1
- 12 SW1-SW2
- 13 SW2
- 14 SW3
- 15 SQ
- 16 ST-OFF
- 17 RX-DC
- 18 +13.8V
- 19 +13.8V
- 20 MIC
- 21 UIC
- 22 CB-RX-VCC

KEPC-504

KEPC-505