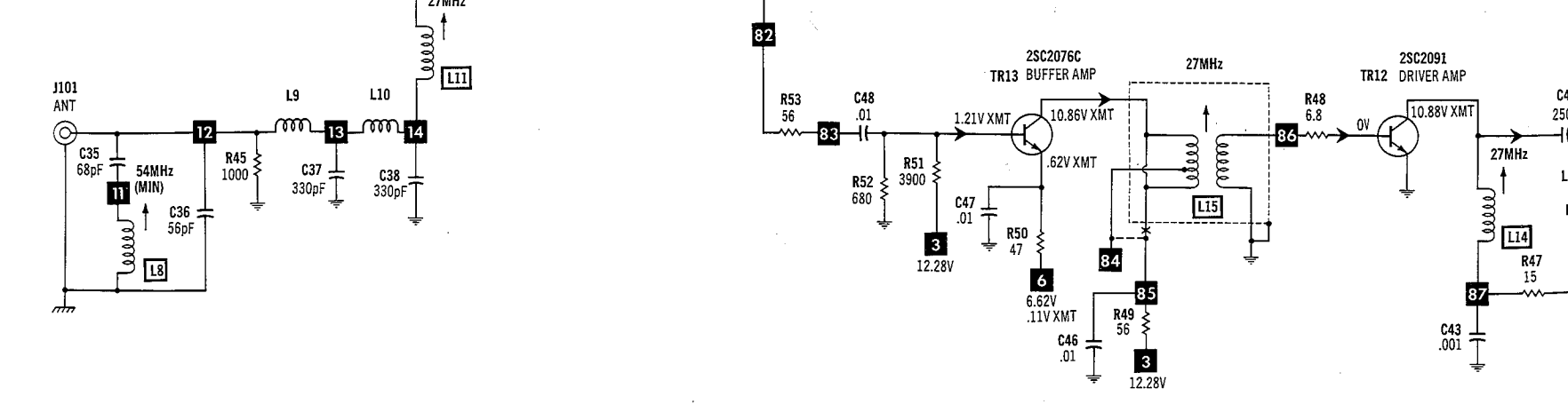
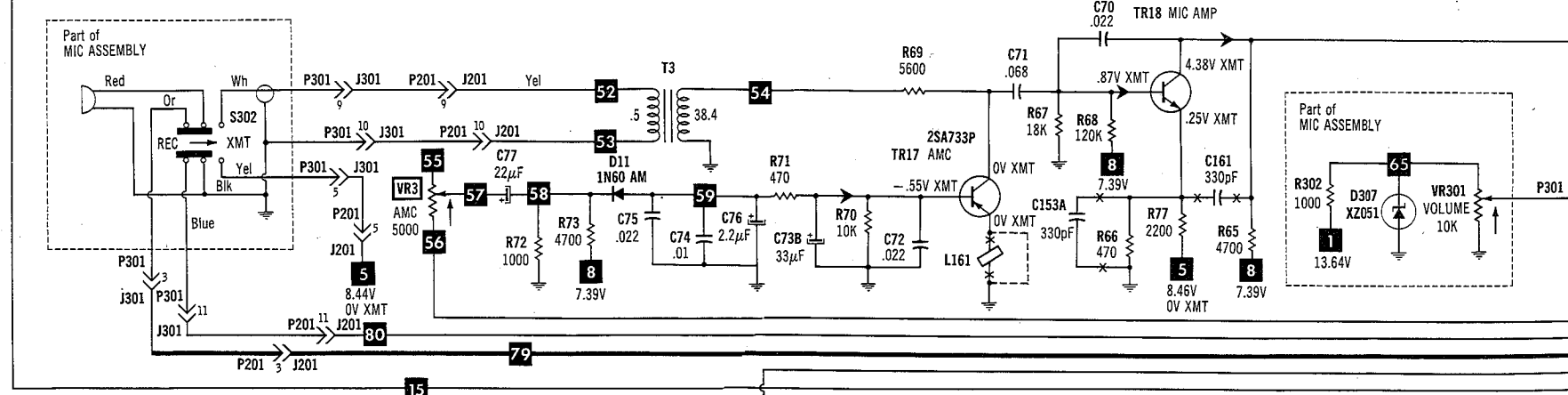
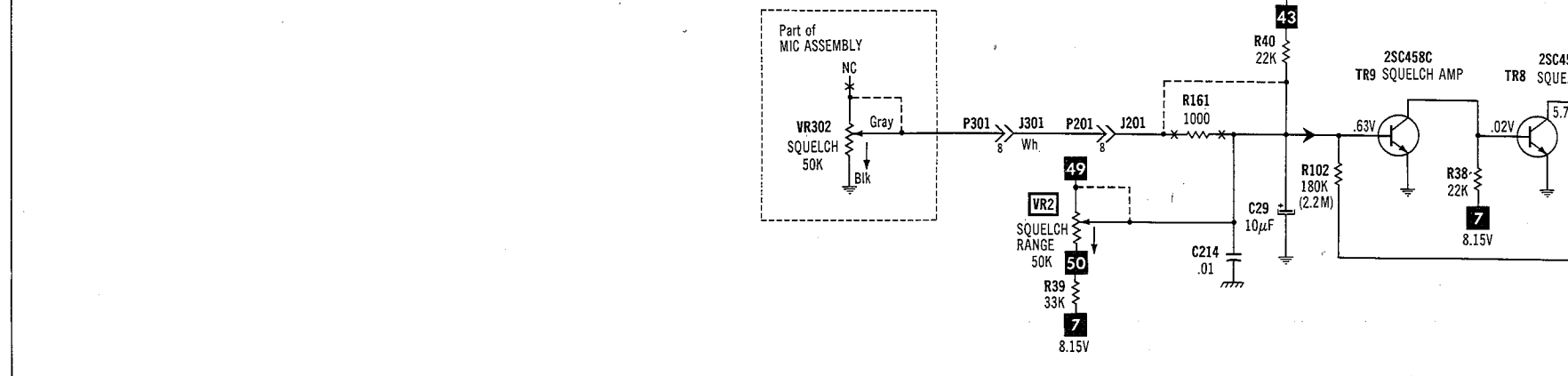
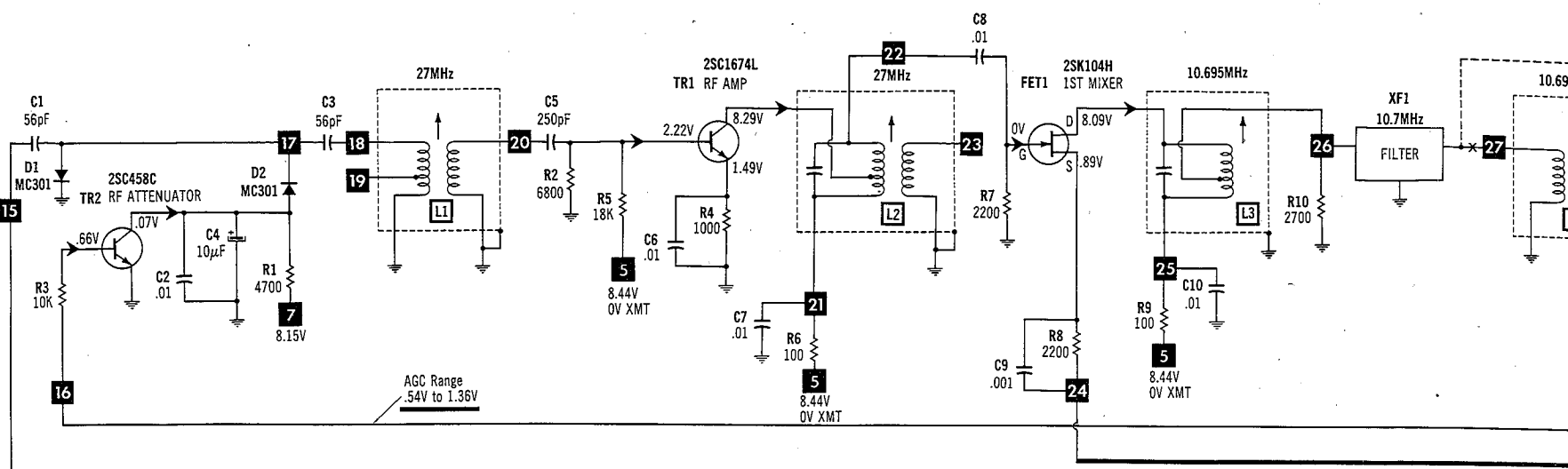
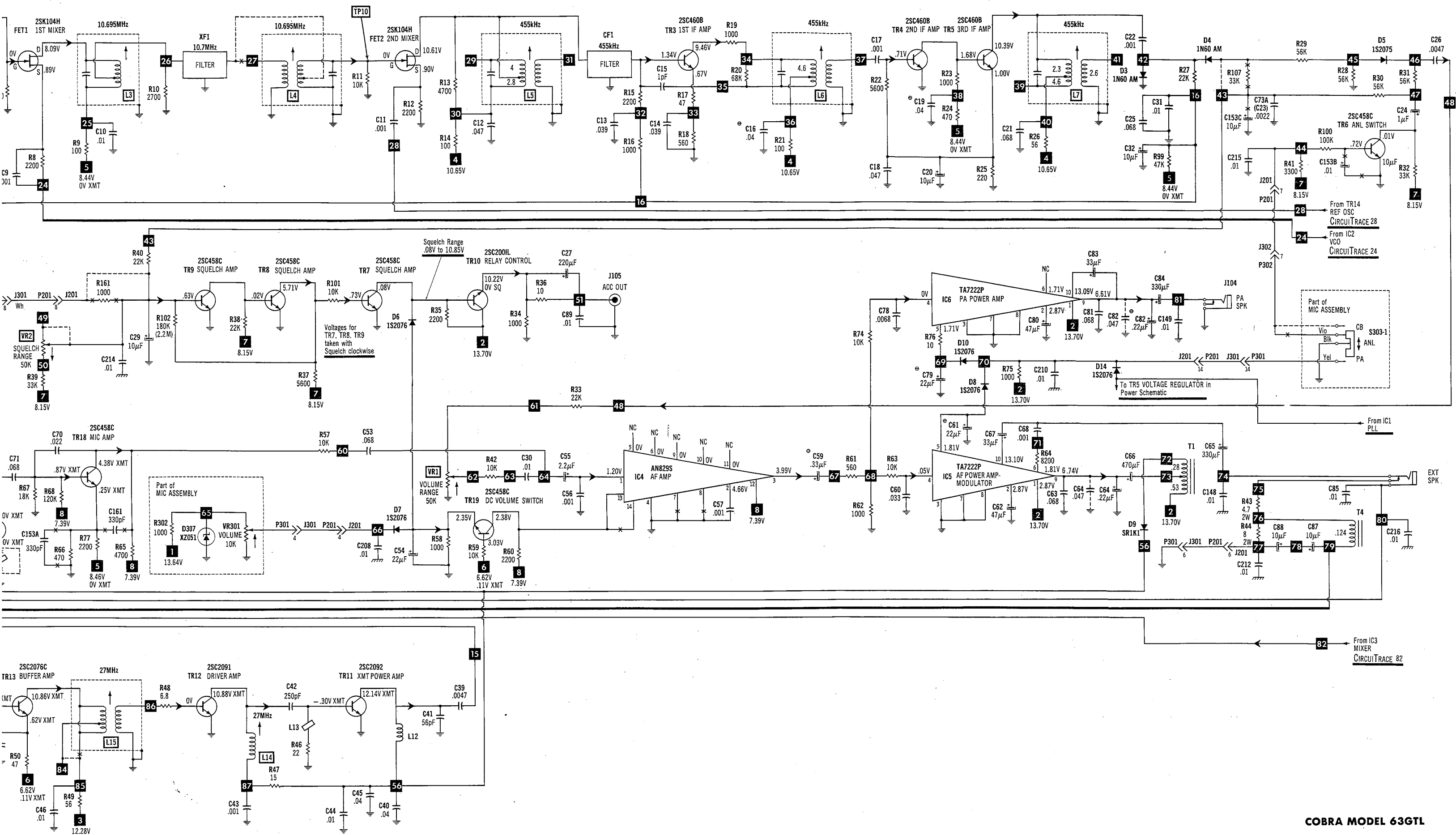


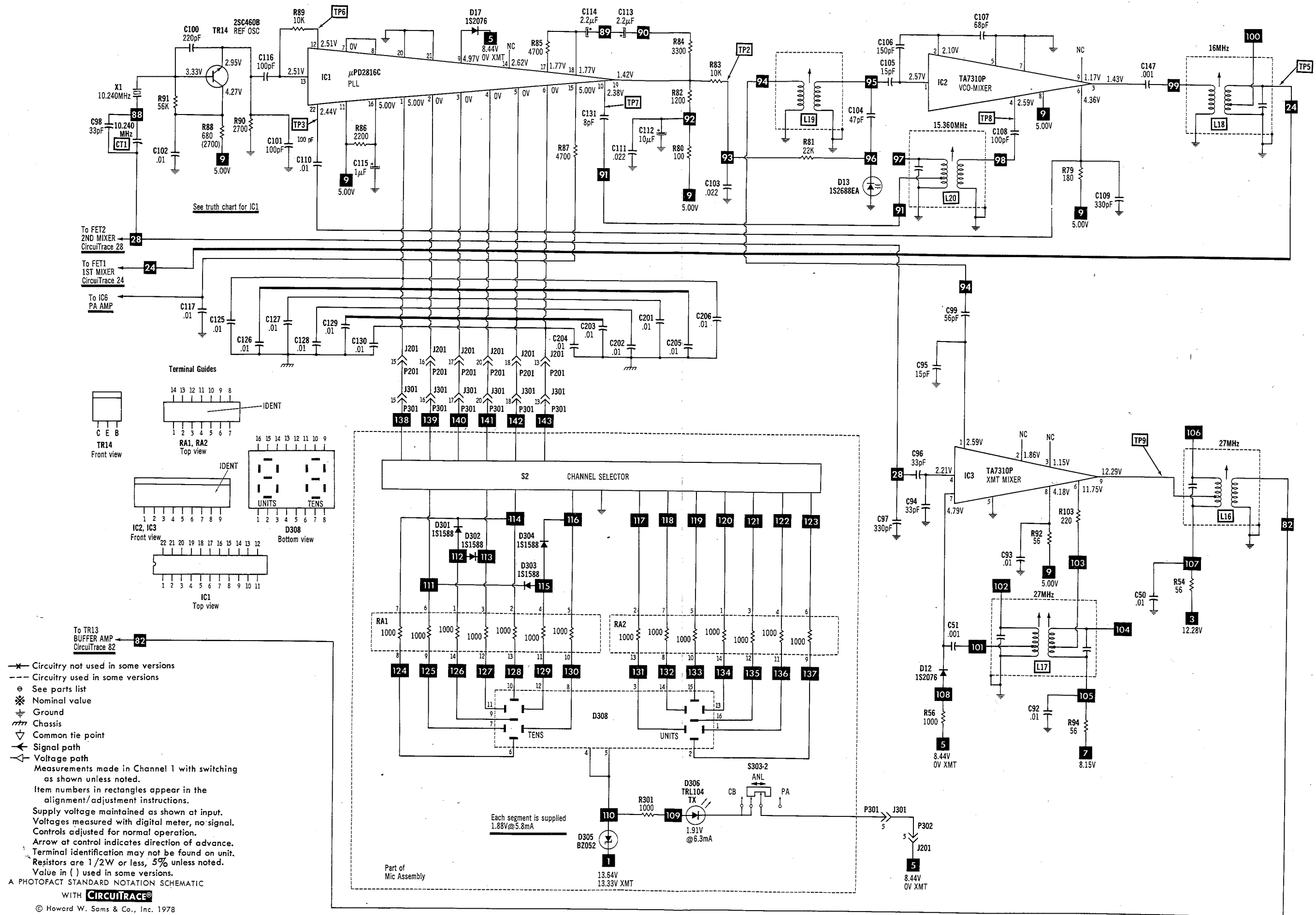
\* Circuitry not used in some versions  
 --- Circuitry used in some versions  
 e See parts list  
 \* Nominal value  
 G Ground  
 Chassis  
 Common tie point  
 Signal path  
 Voltage path  
 Measurements made in Channel 1 with switching as shown unless noted.  
 Item numbers in rectangles appear in the alignment/adjustment instructions.  
 Supply voltage maintained as shown at input. Voltages measured with digital meter, no signal. Controls adjusted for normal operation. Arrow at control indicates direction of advance. Terminal identification may not be found on unit. Resistors are 1/2W or less, 5% unless noted. Value in ( ) used in some versions.

A PHOTOFAC STANDARD NOTATION SCHEMATIC WITH **CIRCUITACE**  
 © Howard W. Sams & Co., Inc. 1978





COBRA MODEL 63GTL



\* Circuitry not used in some versions  
 - - - Circuitry used in some versions  
 e See parts list  
 \* Nominal value  
 ⊕ Ground  
 ▭ Chassis  
 ▽ Common tie point  
 ↗ Signal path  
 ▽ Voltage path  
 Measurements made in Channel 1 with switching as shown unless noted.  
 Item numbers in rectangles appear in the alignment/adjustment instructions.  
 Supply voltage maintained as shown at input.  
 Voltages measured with digital meter, no signal.  
 Controls adjusted for normal operation.  
 Arrow at control indicates direction of advance.  
 Terminal identification may not be found on unit.  
 Resistors are 1/2W or less, 5% unless noted.  
 Value in ( ) used in some versions.

A PHOTOFACT STANDARD NOTATION SCHEMATIC  
 WITH **CIRCUITRACE**<sup>®</sup>  
 © Howard W. Sams & Co., Inc. 1978

# BLOCK DIAGRAM

