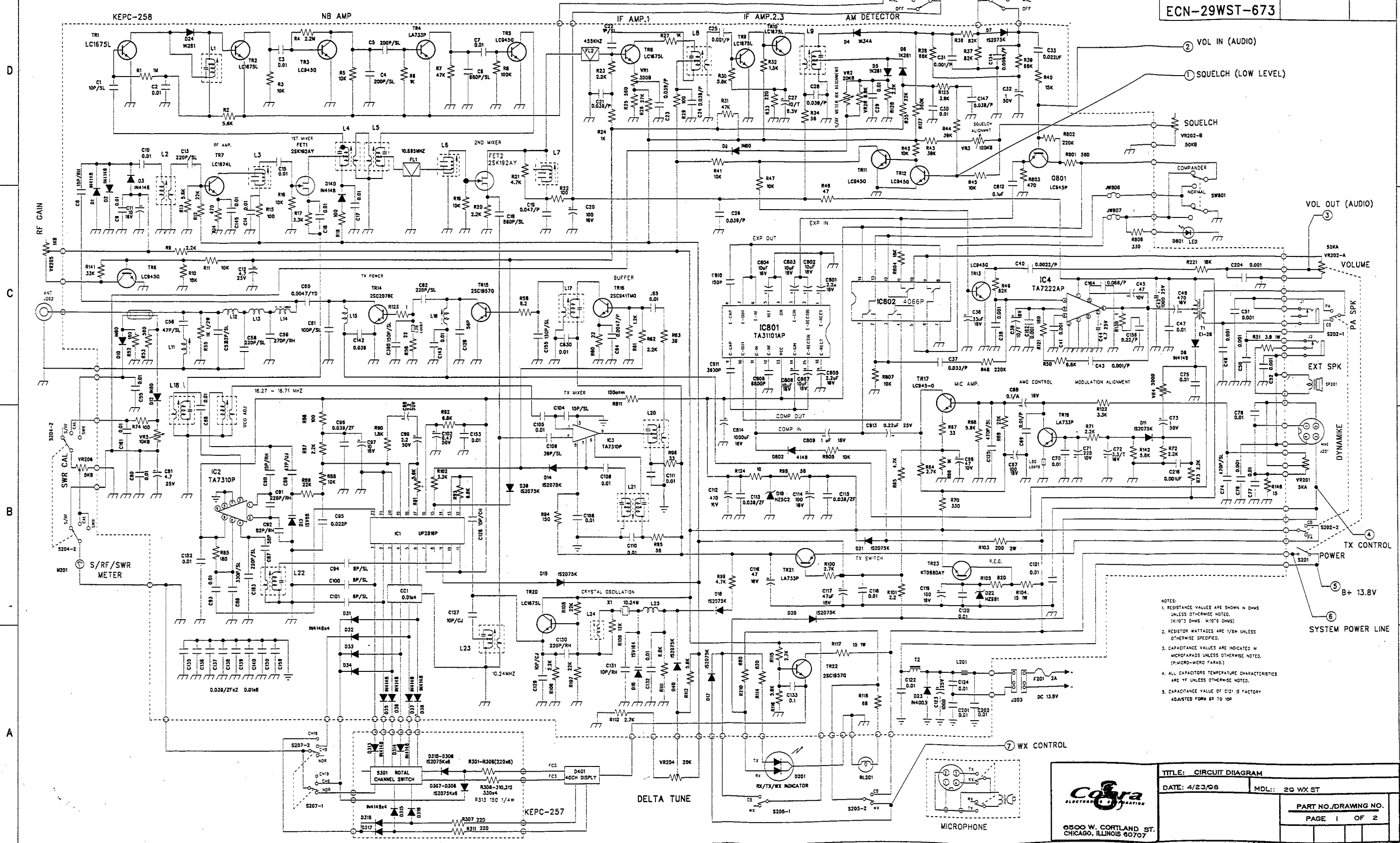


CIRCUIT DIAGRAM FOR COBRA 29WST

REVISION RECORD		
UPDATE TO ECN NO.	APPROVED:	DATE:
ECN-29WST-673		



- NOTES:
1. RESISTANCE VALUES ARE SHOWN IN OHMS UNLESS OTHERWISE NOTED. (K=10³ OHMS, M=10⁶ OHMS)
 2. RESISTOR WATTAGES ARE 1/8W UNLESS OTHERWISE SPECIFIED.
 3. CAPACITANCE VALUES ARE INDICATED IN MICROFARADS UNLESS OTHERWISE NOTED. (P=PICO-FARAD)
 4. ALL CAPACITORS TEMPERATURE CHARACTERISTICS ARE YF UNLESS OTHERWISE NOTED.
 5. CAPACITANCE VALUE OF C13 IS FACTORY ADJUSTED FROM 1P TO 10P

CoBra
ELECTRONICS CORPORATION

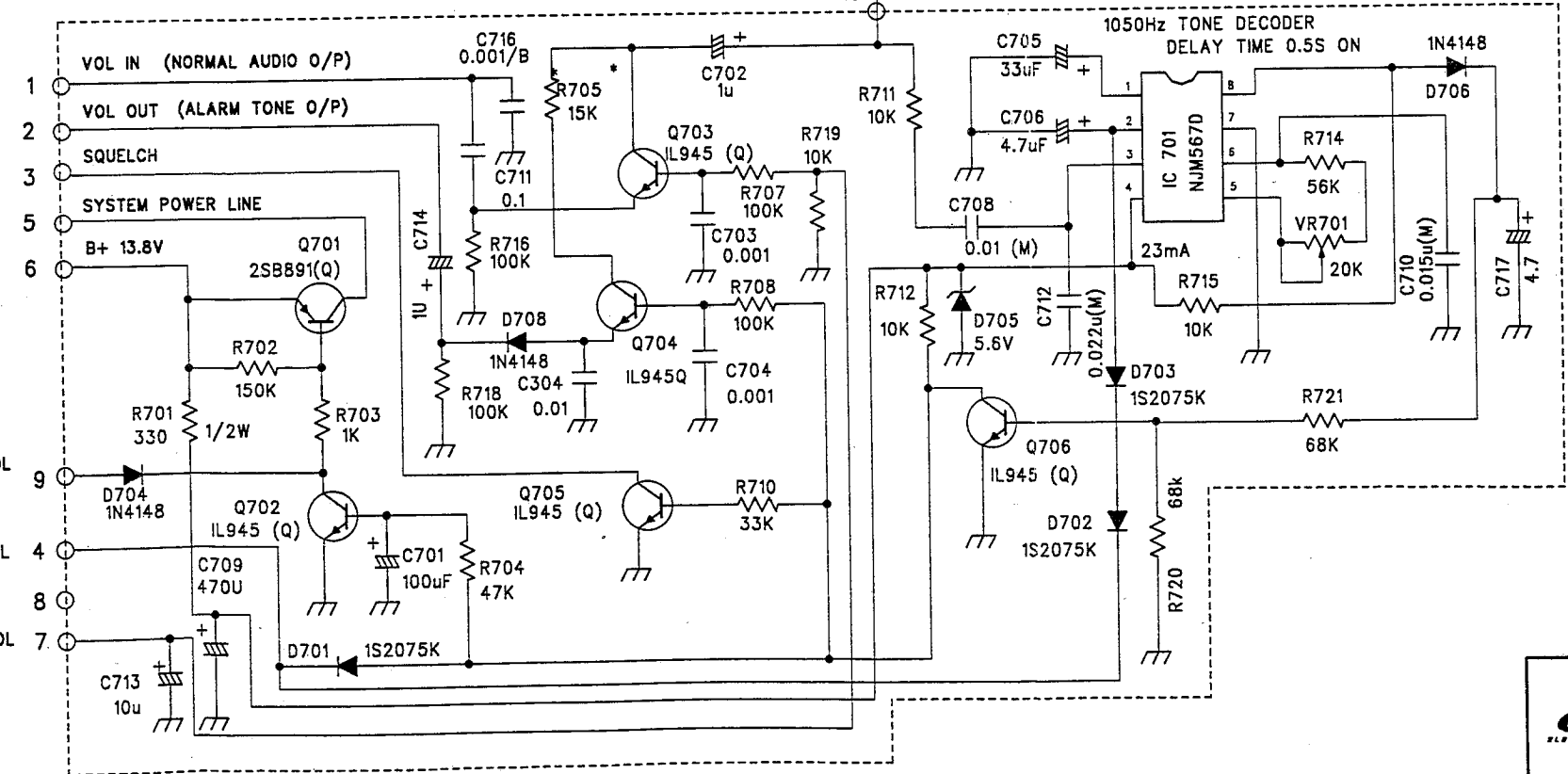
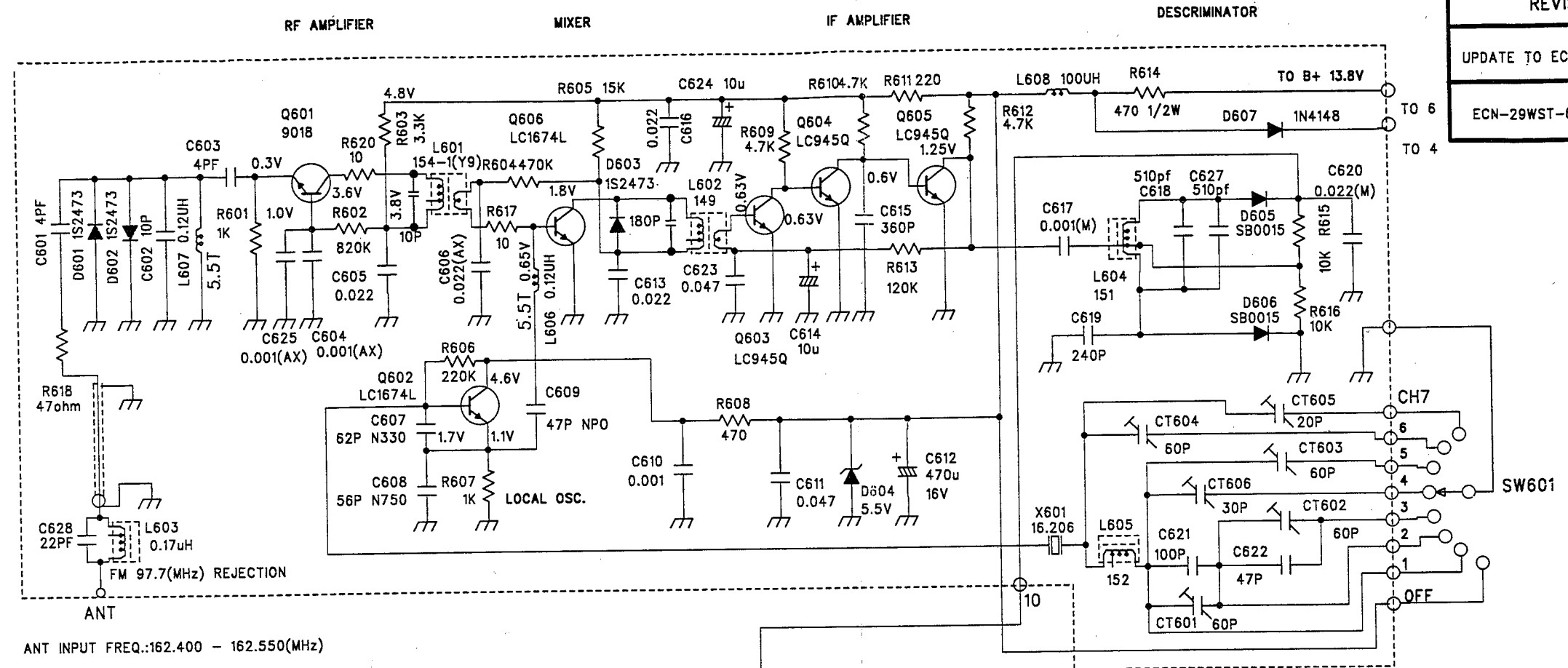
6500 W. CORTLAND ST.
CHICAGO, ILLINOIS 60637

TITLE: CIRCUIT DIAGRAM	DATE: 4/23/98	MDL: 29 WX ST
PART NO./DRAWING NO.		PAGE 1 OF 2

RECEIVED 6 MAY 1998

REVISION RECORD

UPDATE TO ECN NO.	APPROVED:	DATE:
ECN-29WST-673		



- COMPANY:
- 1) ALL RESISTOR ARE 1/8W EXCEPT SPECIFIED
 - 2) C717 IS 4.7u DELAY TIME 0.8S
 - 3) C717 IS 3.3u DELAY TIME 0.5S

CoSra
ELECTRONIC CORPORATION

6500 W. CORTLAND ST.
CHICAGO, ILLINOIS 60707

TITLE: CIRCUIT DIAGRAM
DATE: 4/23/98 MDL:

PART NO./DRAWING NO.
PAGE 2 OF 2