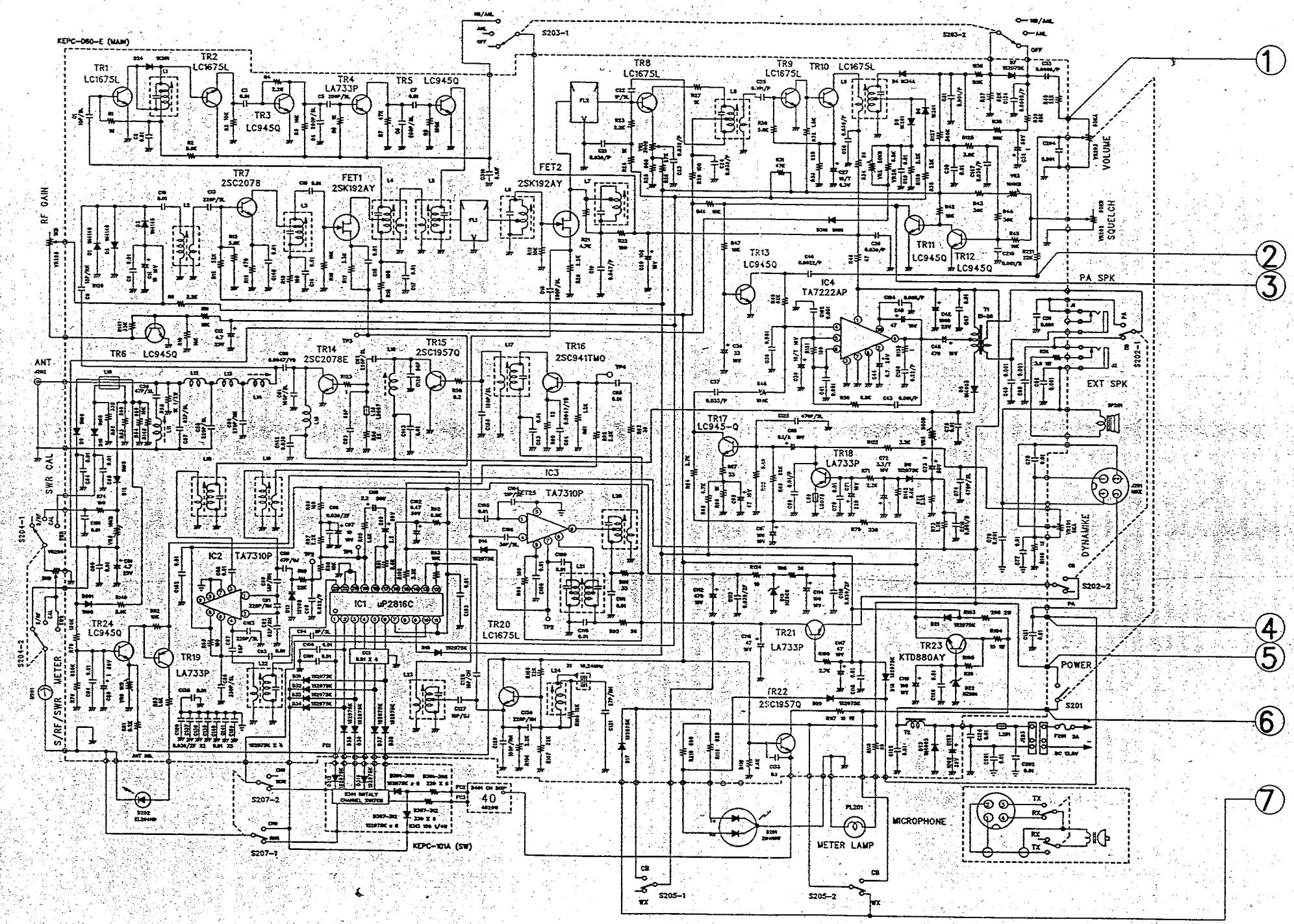



LTR	CDR NO.	APPROVER	DATE

# CIRCUIT DIAGRAM FOR COBRA 29LTD-WX



- NOTES:
1. RESISTANCE VALUES ARE SHOWN IN OHMS UNLESS OTHERWISE NOTED. (10<sup>3</sup>'S OHMS 10<sup>4</sup>'S OHMS)
  2. RESISTOR WATTAGES ARE 1/2W UNLESS OTHERWISE SPECIFIED.
  3. CAPACITANCE VALUES ARE INDICATED IN MICROFARADS UNLESS OTHERWISE SPECIFIED. (MICRO-MICROFARADS)
  4. ALL CAPACITORS TEMPERATURE CHARACTERISTIC ARE Y5 UNLESS OTHERWISE NOTED.
  5. CAPACITANCE VALUE OF C31 IS FACTORY ADJUSTED FROM 5P TO 10P

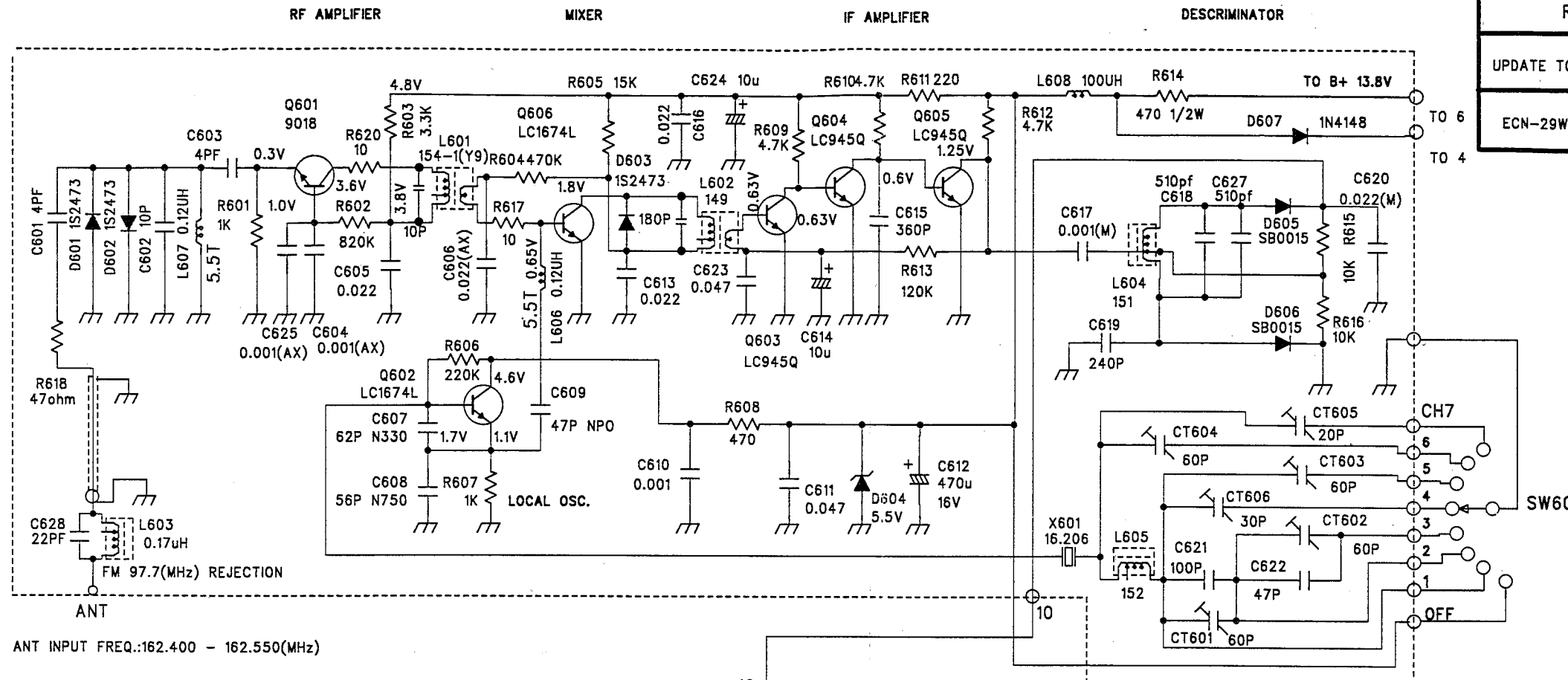


6500 W. Cortland St.  
Chicago, Ill. 60635

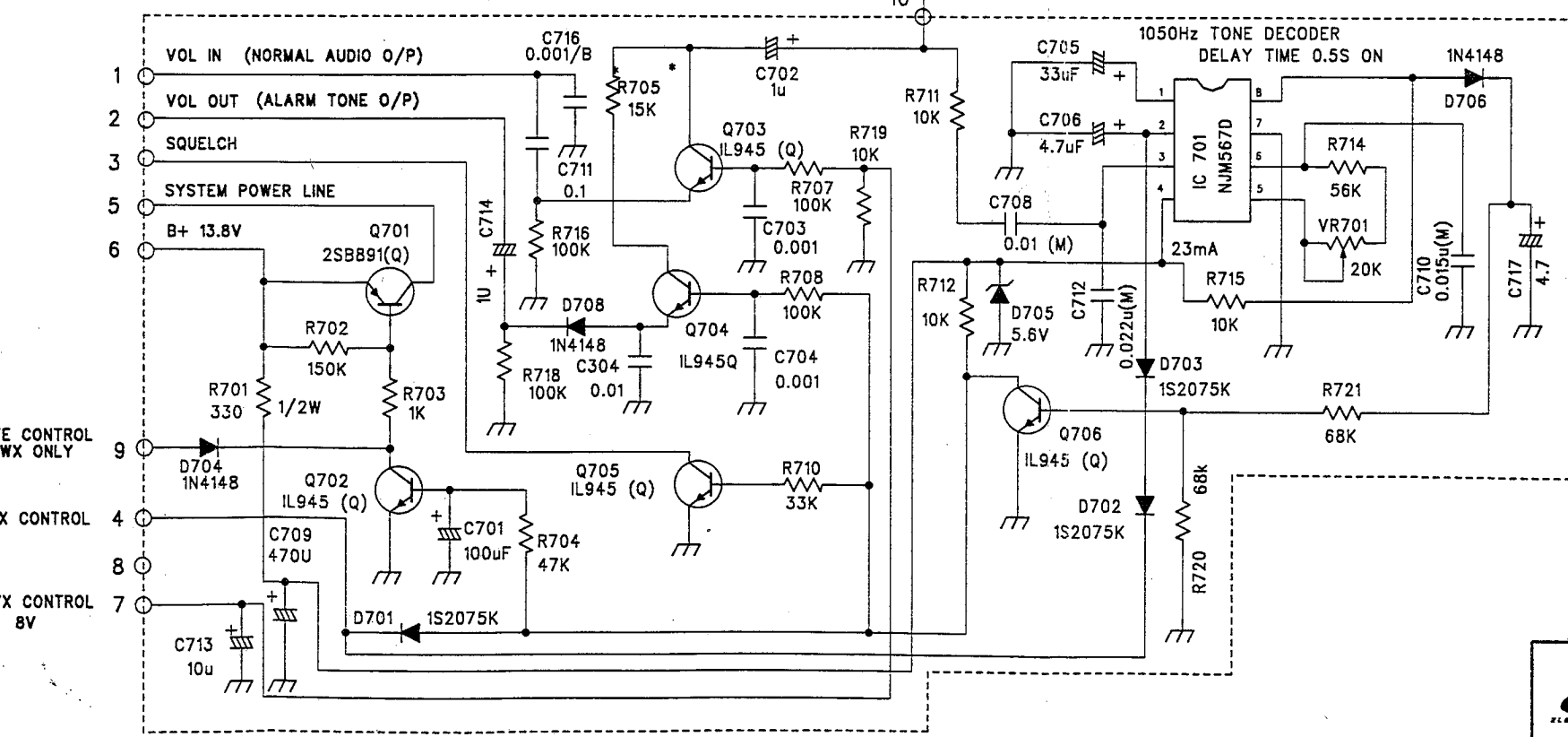
TITLE: SCHEMATIC DIAGRAM, 29LTD WX

DATE: 2-3-95 APPR:

EFF. SN	PART NO./DRAWING NO.
FR:	SHEET 1 OF 1
TO:	ISS.



REVISION RECORD		
UPDATE TO ECN NO.	APPROVED:	DATE:
ECN-29WST-673		



- COMPANY:
- 1) ALL RESISTOR ARE 1/8W EXCEPT SPECIFIED
  - 2) C717 IS 4.7μ DELAY TIME 0.8S
  - 3) C717 IS 3.3μ DELAY TIME 0.5S

**CoBra**  
ELECTRONIC CORPORATION

6500 W. CORTLAND ST.  
CHICAGO, ILLINOIS 60707

TITLE: CIRCUIT DIAGRAM	DATE: 4/23/98	MDL:
PART NO./DRAWING NO.		PAGE 2 OF 2