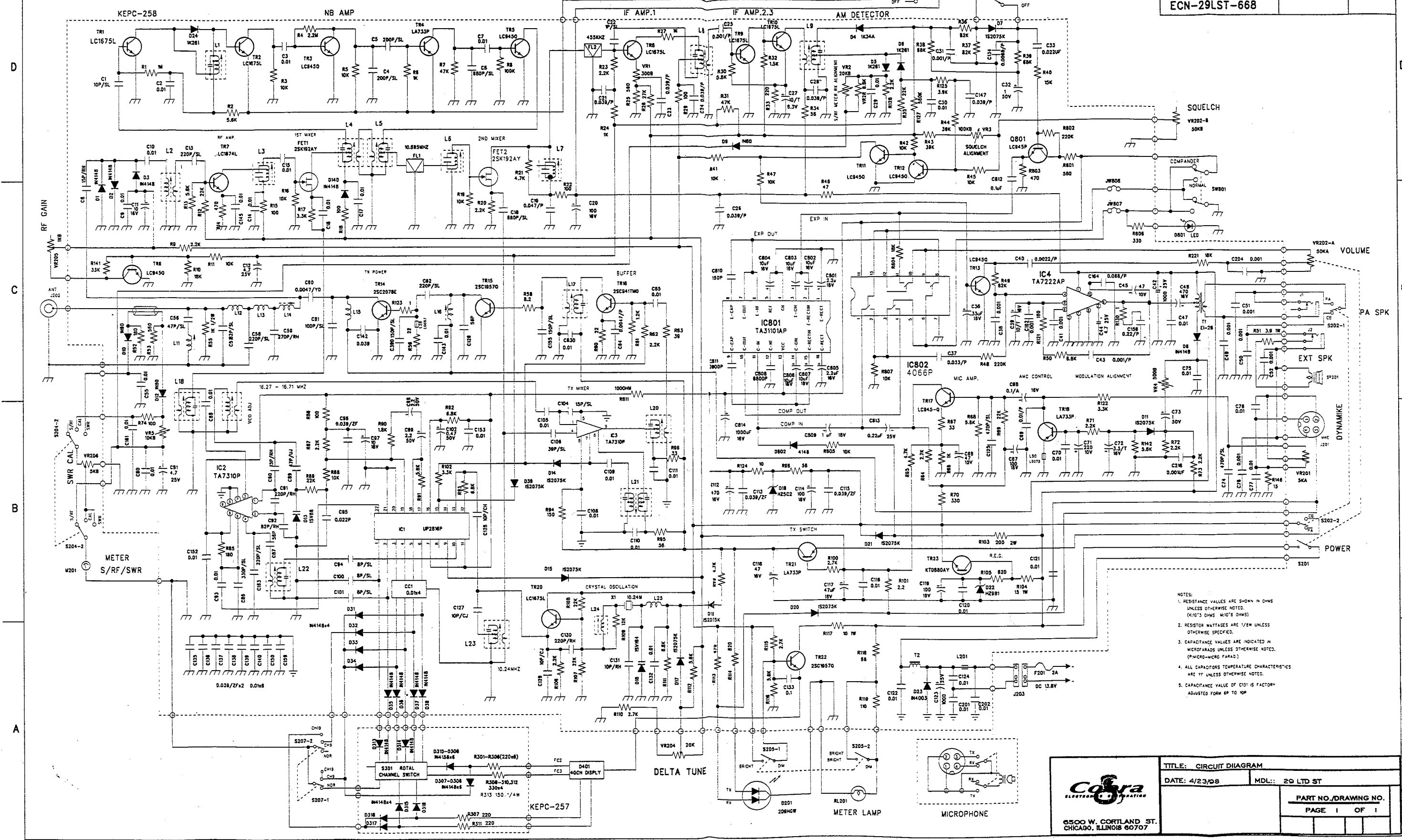



# CIRCUIT DIAGRAM FOR COBRA 29LST

REVISION RECORD		
UPDATE TO ECN NO.	APPROVED:	DATE:
ECN-29LST-668		



- NOTES:
1. RESISTANCE VALUES ARE SHOWN IN OHMS UNLESS OTHERWISE NOTED. (K=10<sup>3</sup> OHMS, M=10<sup>6</sup> OHMS)
  2. RESISTOR WATTAGES ARE 1/8W UNLESS OTHERWISE SPECIFIED.
  3. CAPACITANCE VALUES ARE INDICATED IN MICROFARADS UNLESS OTHERWISE NOTED. (P=10<sup>-12</sup> FARAD)
  4. ALL CAPACITORS TEMPERATURE CHARACTERISTICS ARE TT UNLESS OTHERWISE NOTED.
  5. CAPACITANCE VALUE OF C15 IS FACTORY ADJUSTED FROM 1P TO 10P



6500 W. CORTLAND ST.  
CHICAGO, ILLINOIS 60707

TITLE: CIRCUIT DIAGRAM  
DATE: 4/23/98 MDL: 20 LTD ST

PART NO./DRAWING NO.  
PAGE 1 OF 1