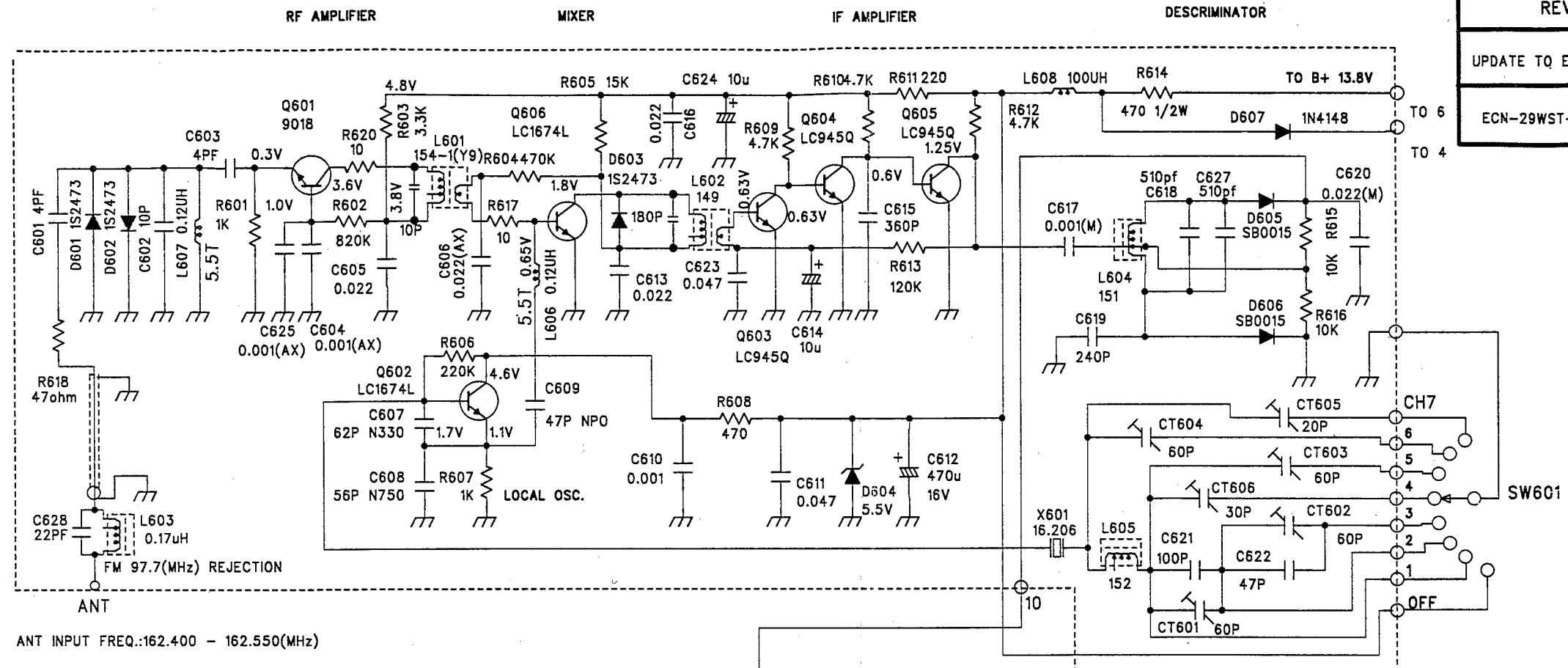
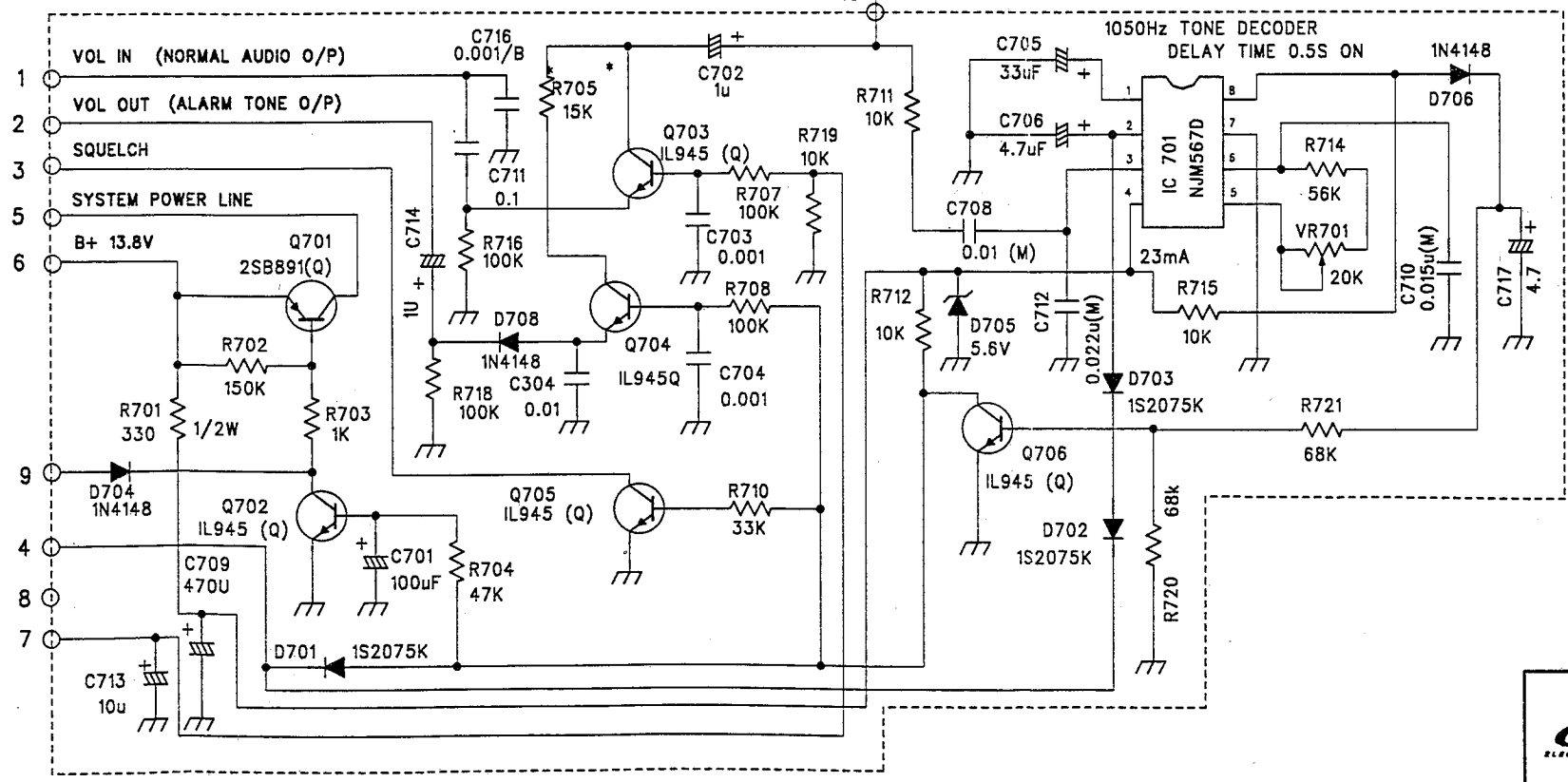


REVISION RECORD		
UPDATE TO ECN NO.	APPROVED:	DATE:
ECN-29WST-673		



ANT INPUT FREQ.:162.400 - 162.550(MHz)



- COMPANY:
- 1) ALL RESISTOR ARE 1/8W EXCEPT SPECIFIED
 - 2) C717 IS 4.7u DELAY TIME 0.8S
 - 3) C717 IS 3.3u DELAY TIME 0.5S

BEAT NOTE CONTROL
USE CB25WX ONLY

CoSra
ELECTRONIC CORPORATION

6500 W. CORTLAND ST.
CHICAGO, ILLINOIS 60707

TITLE: CIRCUIT DIAGRAM	DATE: 4/23/98	MDL:
PART NO./DRAWING NO.		PAGE 2 OF 2