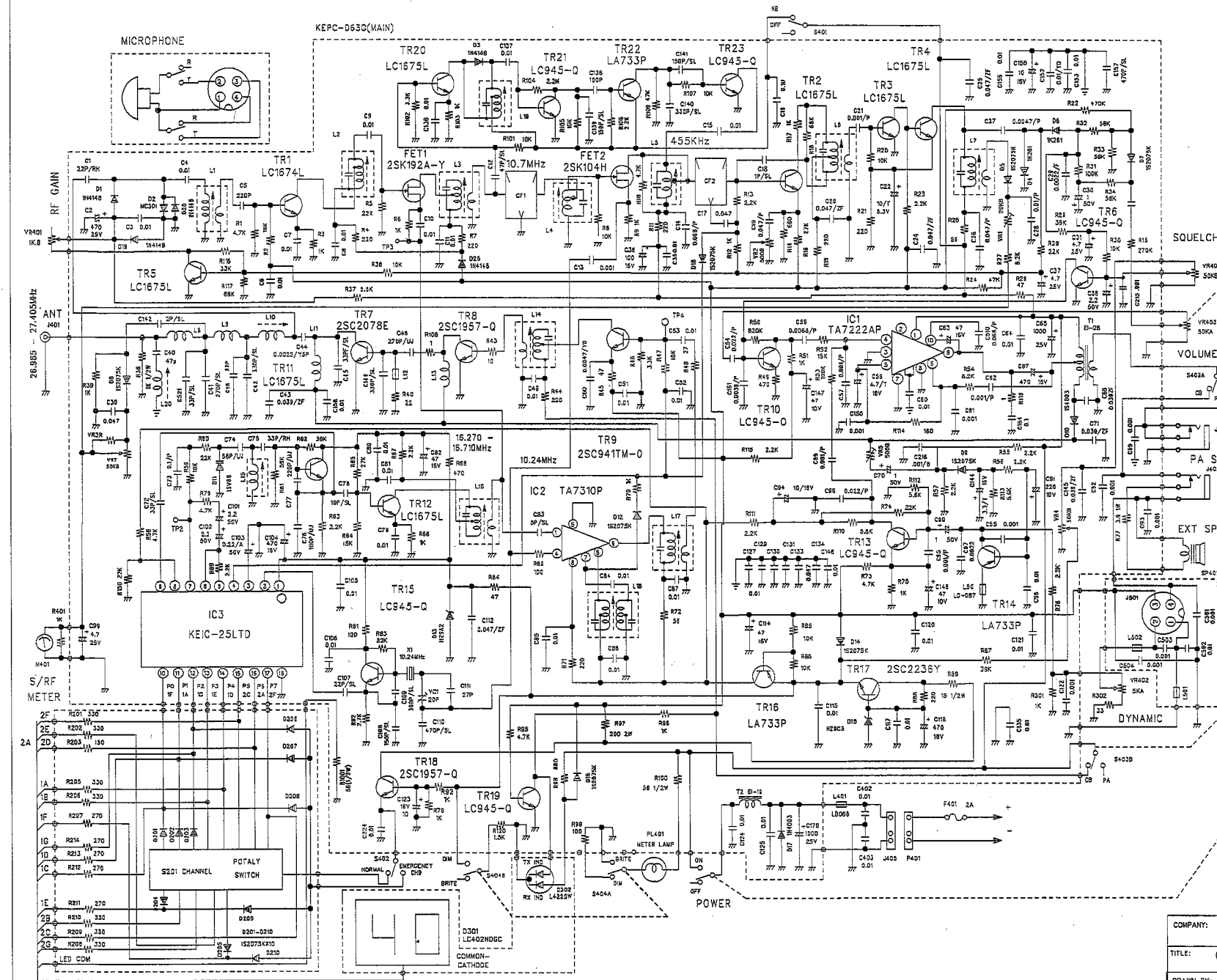


CIRCUIT DIAGRAM FOR COBRA 25LTD



- NOTES:
1. RESISTANCE VALUES ARE SHOWN IN OHMS UNLESS OTHERWISE NOTED. (K=KILLO OHM, M = MEG OHM).
 2. RESISTOR WATTAGES ARE 1/8W UNLESS OTHERWISE NOTED.
 3. CAPACITANCE VALUES ARE INDICATED IN MICROFARADS UNLESS OTHERWISE NOTED. (P=PICTO-MICRO FARAD.)
 4. ALL CAPACITORS TEMPERATURE CHARACTERISTICS ARE YF UNLESS OTHERWISE NOTED.
 5. CIRCUIT AND COMPONENTS ARE SUBJECT TO CHANGE WITHOUT NOTICE.

COMPANY:		
TITLE: CIRCUIT DIAGRAM FOR COBRA 25LTD		
DRAWN BY: X.W. PENG	DATED: APRIL 08, 1999	REV:
APPROVED BY:	DATED:	C