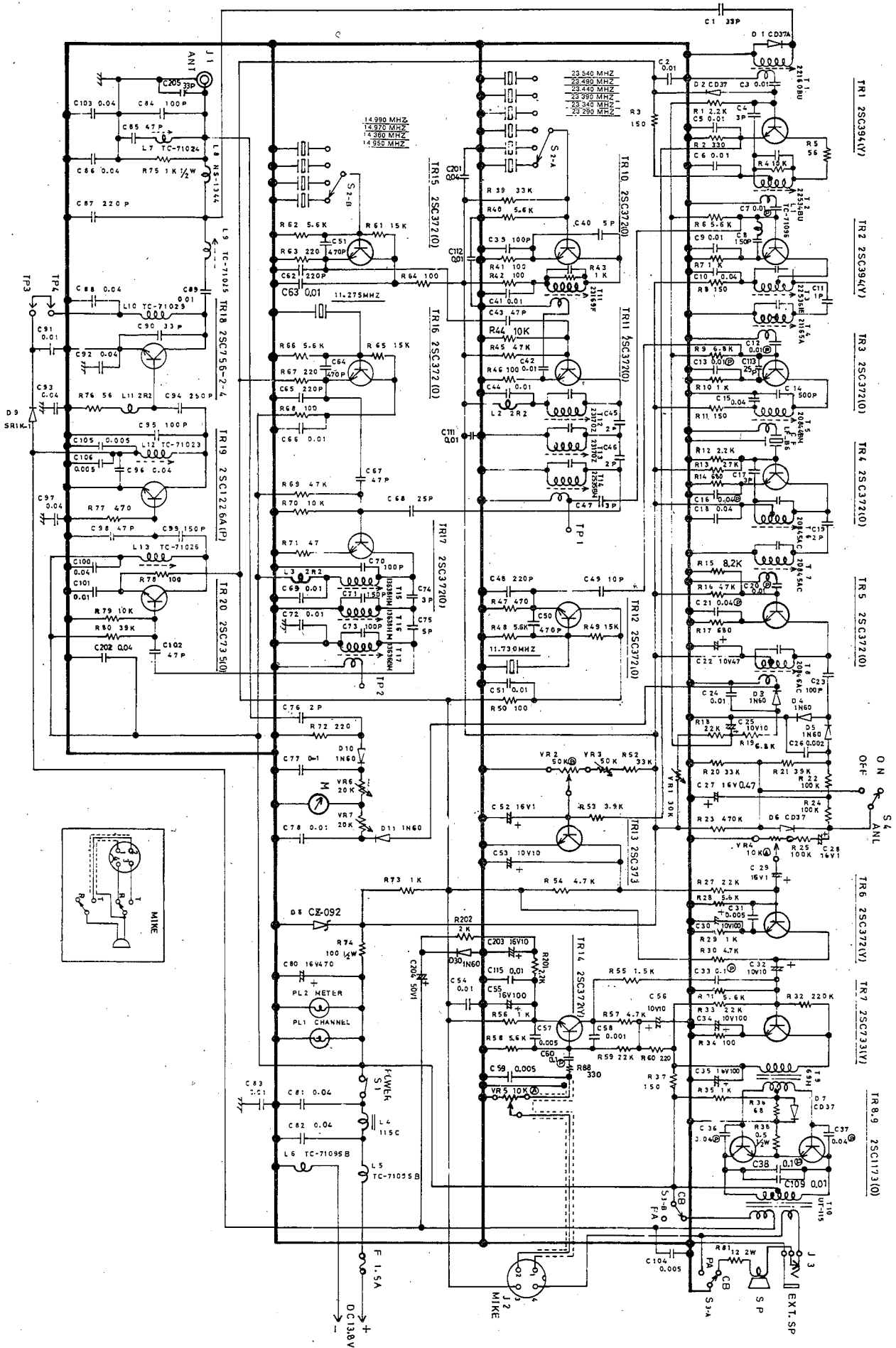


# SCHEMATIC DIAGRAM FOR COBRA 21



S-2  
S-3,4

**SWITCHES**

DESCRIPTION	DYNASCAN PART NO.
Rotary Switch, Channel Selector	083-143-9-001
Slide Switch, P.A./A.N.L. SL-2-2-2-13	100-6-031-9-001

**MISCELLANEOUS**

Ceramic Filter, LF-B6	140-000-6-001
Crystal Socket, S-D0105	749-6-6-6-001
Antenna Connector, M-R inch size	772-025-9-9-001
Microphone Jack, SM-144 (4-P)	773-045-6-6-001
Microphone Plug, SM-144 (4-P)	775-022-6-6-001
Speaker, 10P035 8 ohms 2W	580-000-6-6-001
Meter, A-39	320-045-9-9-001
Microphone, 22-115-45 w/hanger	562-006-9-001
Fuse Holder, RF-104	742-010-6-6-001
Fuse, 1.5 amp	100-6-6-200-001
Printed Circuit Board No. 138101	302-021-136-9-001
Pilot Lamp, 14V 30mA Meter/Channel	400-000-6-6-001
Strain Relief Bushing, SR-3P-4	380-000-6-6-001
Lug Terminal, T-41	757-010-111-6-001
Lug Terminal, N-60	757-010-111-6-002
Jack, SJ-296 3.5p	773-045-6-6-002
Metal Cabinet (top)	253-027-7-001
Metal Cabinet (bottom)	252-008-9-001
Mounting Bracket	250-043-9-001
Front Panel (ABS)	255-104-9-001
Heat-sink	747-018-9-001
Heat-sink	747-010-18-9-002
Rubber Washer for Bracket	347-050-6-6-001
Screw for Bracket	634-044-6-6-001
Front Plate	260-043-9-9-001
Channel Disk	380-000-6-002
Channel Knob	751-095-6-6-001
Volume & Squelch Knob	751-095-6-6-002
Mike gain Control Knob	751-095-6-6-003
FCC Plate	600-017-9-001
Mike Plate	600-018-9-001
Speaker Nut	769-063-6-001
Instruction Booklet	480-134-4-001
Display Box	570-219-6-6-001
Styrofoam Box	503-067-9-001
FCC Application Form	492-041-1-001
Schematic & Parts List	100-6-040-6-6-001

NOTE: Minimum charge \$2.00 per invoice. Orders will be shipped C.O.D. unless previous open account arrangements have been made or remittance accompanies order. Advance remittance must cover postage or express charge.

Specify serial number when ordering replacement parts.

DYNASCAN PART NO.

DESCRIPTION

SCHMATIC SYMBOL

**RESISTORS, CONTROLS (Continued)**

002-104-5-221	Solid Fixed, 100 ohms 1/4W	R-74
001-102-6-101	Solid Fixed, 1 k ohm 1/2W	R-75
001-002-6-120	Metal Fixed, 12 ohms 2W	R-81
020-109-9-001	Ceramic, 33pF 50V	C-1-90
020-109-9-002	Ceramic, 0.01uF 50V	C-2-3, 5, 6, 24, 41
020-109-9-003	Ceramic, 3pF 50V	C-4, 17, 47, 74
020-109-9-004	Ceramic, 150pF 50V	C-8, 71, 99
020-109-9-005	Ceramic, 0.04uF 50V	C-10, 15, 18, 86
020-109-9-006	Ceramic, 100pF 50V	C-11
020-109-9-007	Ceramic, 2pF 50V	C-12, 13, 20
020-109-9-008	Ceramic, 100pF 50V	C-14
020-109-9-009	Ceramic, 0.005uF 50V	C-15, 57, 59, 104
020-109-9-010	Ceramic, 5pF 50V	C-16, 21, 36, 37
020-109-9-011	Ceramic, 47pF 50V	C-17, 18, 19, 88, 92, 93, 96
020-109-9-012	Ceramic, 100pF 50V	C-18, 22, 23, 39, 70, 73
020-109-9-013	Ceramic, 25pF 50V	C-19, 45, 46, 76
020-109-9-014	Ceramic, 0.01uF 50V	C-20, 25, 32, 53, 56
020-109-9-015	Ceramic, 0.002uF 50V	C-21, 26
020-109-9-016	Ceramic, 1uF 10V	C-28, 29, 52, 79
020-109-9-017	Ceramic, 100uF 10V	C-30, 34
020-109-9-018	Ceramic, 0.005uF 50V	C-31, 37, 55, 99, 104
020-109-9-019	Ceramic, 5pF 50V	C-32, 35, 38, 60
020-109-9-020	Ceramic, 47pF 50V	C-33, 38, 60
020-109-9-021	Ceramic, 100uF 10V	C-34, 37, 55, 99, 104
020-109-9-022	Ceramic, 25pF 50V	C-35, 55
020-109-9-023	Ceramic, 100uF 10V	C-36, 38, 60
020-109-9-024	Ceramic, 47pF 50V	C-37, 55, 99, 104
020-109-9-025	Ceramic, 100pF 50V	C-38, 60
020-109-9-026	Ceramic, 25pF 50V	C-39, 77
020-109-9-027	Ceramic, 0.01uF 50V	C-40, 78
020-109-9-028	Ceramic, 0.002uF 50V	C-41, 79
020-109-9-029	Ceramic, 1uF 10V	C-42, 82
020-109-9-030	Ceramic, 100uF 10V	C-43, 67, 85, 98
020-109-9-031	Ceramic, 47pF 50V	C-44, 79
020-109-9-032	Ceramic, 100pF 50V	C-45, 82
020-109-9-033	Ceramic, 25pF 50V	C-46, 82
020-109-9-034	Ceramic, 0.01uF 50V	C-47, 82
020-109-9-035	Ceramic, 0.002uF 50V	C-48, 82
020-109-9-036	Ceramic, 1uF 10V	C-49
020-109-9-037	Ceramic, 100pF 50V	C-50, 61, 64
020-109-9-038	Ceramic, 25pF 50V	C-51, 64
020-109-9-039	Ceramic, 0.001uF 50V	C-52, 65, 87
020-109-9-040	Ceramic, 470pF 50V	C-53, 65, 87
020-109-9-041	Ceramic, 220pF 50V	C-54, 87
020-109-9-042	Ceramic, 100pF 50V	C-55, 87
020-109-9-043	Ceramic, 25pF 50V	C-56, 87
020-109-9-044	Ceramic, 0.01uF 50V	C-57, 87
020-109-9-045	Ceramic, 0.002uF 50V	C-58, 87
020-109-9-046	Ceramic, 1uF 10V	C-59, 87
020-109-9-047	Ceramic, 100uF 10V	C-60, 87
020-109-9-048	Ceramic, 47pF 50V	C-61, 87
020-109-9-049	Ceramic, 100pF 50V	C-62, 87
020-109-9-050	Ceramic, 25pF 50V	C-63, 87
020-109-9-051	Ceramic, 0.01uF 50V	C-64, 87
020-109-9-052	Ceramic, 0.002uF 50V	C-65, 87
020-109-9-053	Ceramic, 1uF 10V	C-66, 87
020-109-9-054	Ceramic, 100uF 10V	C-67, 87
020-109-9-055	Ceramic, 47pF 50V	C-68, 87
020-109-9-056	Ceramic, 100pF 50V	C-69, 87
020-109-9-057	Ceramic, 25pF 50V	C-70, 87
020-109-9-058	Ceramic, 0.01uF 50V	C-71, 87
020-109-9-059	Ceramic, 0.002uF 50V	C-72, 87
020-109-9-060	Ceramic, 1uF 10V	C-73, 87
020-109-9-061	Ceramic, 100uF 10V	C-74, 87
020-109-9-062	Ceramic, 47pF 50V	C-75, 87
020-109-9-063	Ceramic, 100pF 50V	C-76, 87
020-109-9-064	Ceramic, 25pF 50V	C-77, 87
020-109-9-065	Ceramic, 0.01uF 50V	C-78, 87
020-109-9-066	Ceramic, 0.002uF 50V	C-79, 87
020-109-9-067	Ceramic, 1uF 10V	C-80, 87
020-109-9-068	Ceramic, 100uF 10V	C-81, 87
020-109-9-069	Ceramic, 47pF 50V	C-82, 87
020-109-9-070	Ceramic, 100pF 50V	C-83, 87
020-109-9-071	Ceramic, 25pF 50V	C-84, 87
020-109-9-072	Ceramic, 0.01uF 50V	C-85, 87
020-109-9-073	Ceramic, 0.002uF 50V	C-86, 87
020-109-9-074	Ceramic, 1uF 10V	C-87, 87
020-109-9-075	Ceramic, 100uF 10V	C-88, 87
020-109-9-076	Ceramic, 47pF 50V	C-89, 87
020-109-9-077	Ceramic, 100pF 50V	C-90, 87
020-109-9-078	Ceramic, 25pF 50V	C-91, 87
020-109-9-079	Ceramic, 0.01uF 50V	C-92, 87
020-109-9-080	Ceramic, 0.002uF 50V	C-93, 87
020-109-9-081	Ceramic, 1uF 10V	C-94, 87
020-109-9-082	Ceramic, 100uF 10V	C-95, 87
020-109-9-083	Ceramic, 47pF 50V	C-96, 87
020-109-9-084	Ceramic, 100pF 50V	C-97, 87
020-109-9-085	Ceramic, 25pF 50V	C-98, 87
020-109-9-086	Ceramic, 0.01uF 50V	C-99, 87
020-109-9-087	Ceramic, 0.002uF 50V	C-100, 87
020-109-9-088	Ceramic, 1uF 10V	C-101, 87
020-109-9-089	Ceramic, 100uF 10V	C-102, 87
020-109-9-090	Ceramic, 47pF 50V	C-103, 87
020-109-9-091	Ceramic, 100pF 50V	C-104, 87
020-109-9-092	Ceramic, 25pF 50V	C-105, 87
020-109-9-093	Ceramic, 0.01uF 50V	C-106, 87
020-109-9-094	Ceramic, 0.002uF 50V	C-107, 87
020-109-9-095	Ceramic, 1uF 10V	C-108, 87
020-109-9-096	Ceramic, 100uF 10V	C-109, 87
020-109-9-097	Ceramic, 47pF 50V	C-110, 87
020-109-9-098	Ceramic, 100pF 50V	C-111, 87
020-109-9-099	Ceramic, 25pF 50V	C-112, 87
020-109-9-100	Ceramic, 0.01uF 50V	C-113, 87
020-109-9-101	Ceramic, 0.002uF 50V	C-114, 87
020-109-9-102	Ceramic, 1uF 10V	C-115, 87
020-109-9-103	Ceramic, 100uF 10V	C-116, 87
020-109-9-104	Ceramic, 47pF 50V	C-117, 87
020-109-9-105	Ceramic, 100pF 50V	C-118, 87
020-109-9-106	Ceramic, 25pF 50V	C-119, 87
020-109-9-107	Ceramic, 0.01uF 50V	C-120, 87
020-109-9-108	Ceramic, 0.002uF 50V	C-121, 87
020-109-9-109	Ceramic, 1uF 10V	C-122, 87
020-109-9-110	Ceramic, 100uF 10V	C-123, 87
020-109-9-111	Ceramic, 47pF 50V	C-124, 87
020-109-9-112	Ceramic, 100pF 50V	C-125, 87
020-109-9-113	Ceramic, 25pF 50V	C-126, 87
020-109-9-114	Ceramic, 0.01uF 50V	C-127, 87
020-109-9-115	Ceramic, 0.002uF 50V	C-128, 87
020-109-9-116	Ceramic, 1uF 10V	C-129, 87
020-109-9-117	Ceramic, 100uF 10V	C-130, 87
020-109-9-118	Ceramic, 47pF 50V	C-131, 87
020-109-9-119	Ceramic, 100pF 50V	C-132, 87
020-109-9-120	Ceramic, 25pF 50V	C-133, 87
020-109-9-121	Ceramic, 0.01uF 50V	C-134, 87
020-109-9-122	Ceramic, 0.002uF 50V	C-135, 87
020-109-9-123	Ceramic, 1uF 10V	C-136, 87
020-109-9-124	Ceramic, 100uF 10V	C-137, 87
020-109-9-125	Ceramic, 47pF 50V	C-138, 87
020-109-9-126	Ceramic, 100pF 50V	C-139, 87
020-109-9-127	Ceramic, 25pF 50V	C-140, 87
020-109-9-128	Ceramic, 0.01uF 50V	C-141, 87
020-109-9-129	Ceramic, 0.002uF 50V	C-142, 87
020-109-9-130	Ceramic, 1uF 10V	C-143, 87
020-109-9-131	Ceramic, 100uF 10V	C-144, 87
020-109-9-132	Ceramic, 47pF 50V	C-145, 87
020-109-9-133	Ceramic, 100pF 50V	C-146, 87
020-109-9-134	Ceramic, 25pF 50V	C-147, 87
020-109-9-135	Ceramic, 0.01uF 50V	C-148, 87
020-109-9-136	Ceramic, 0.002uF 50V	C-149, 87
020-109-9-137	Ceramic, 1uF 10V	C-150, 87
020-109-9-138	Ceramic, 100uF 10V	C-151, 87
020-109-9-139	Ceramic, 47pF 50V	C-152, 87
020-109-9-140	Ceramic, 100pF 50V	C-153, 87
020-109-9-141	Ceramic, 25pF 50V	C-154, 87
020-109-9-142	Ceramic, 0.01uF 50V	C-155, 87
020-109-9-143	Ceramic, 0.002uF 50V	C-156, 87
020-109-9-144	Ceramic, 1uF 10V	C-157, 87
020-109-9-145	Ceramic, 100uF 10V	C-158, 87
020-109-9-146	Ceramic, 47pF 50V	C-159, 87
020-109-9-147	Ceramic, 100pF 50V	C-160, 87
020-109-9-148	Ceramic, 25pF 50V	C-161, 87
020-109-9-149	Ceramic, 0.01uF 50V	C-162, 87
020-109-9-150	Ceramic, 0.002uF 50V	C-163, 87
020-109-9-151	Ceramic, 1uF 10V	C-164, 87
020-109-9-152	Ceramic, 100uF 10V	C-165, 87
020-109-9-153	Ceramic, 47pF 50V	C-166, 87
020-109-9-154	Ceramic, 100pF 50V	C-167, 87
020-109-9-155	Ceramic, 25pF 50V	C-168, 87
020-109-9-156	Ceramic, 0.01uF 50V	C-169, 87
020-109-9-157	Ceramic, 0.002uF 50V	C-170, 87
020-109-9-158	Ceramic, 1uF 10V	C-171, 87
020-109-9-159	Ceramic, 100uF 10V	C-172, 87
020-109-9-160	Ceramic, 47pF 50V	C-173, 87
020-109-9-161	Ceramic, 100pF 50V	C-174, 87
020-109-9-162	Ceramic, 25pF 50V	C-175, 87
020-109-9-163	Ceramic, 0.01uF 50V	C-176, 87
020-109-9-164	Ceramic, 0.002uF 50V	C-177, 87
020-109-9-165	Ceramic, 1uF 10V	C-178, 87
020-109-9-166	Ceramic, 100uF 10V	C-179, 87
020-109-9-167	Ceramic, 47pF 50V	C-180, 87
020-109-9-168	Ceramic, 100pF 50V	C-181, 87
020-109-9-169	Ceramic, 25pF 50V	C-182, 87
020-109-9-170	Ceramic, 0.01uF 50V	C-183, 87
020-109-9-171	Ceramic, 0.002uF 50V	C-184, 87
020-109-9-172	Ceramic, 1uF 10V	C-185, 87
020-109-9-173	Ceramic, 100uF 10V	C-186, 87
020-109-9-174	Ceramic, 47pF 50V	C-187, 87
020-109-9-175	Ceramic, 100pF 50V	C-188, 87
020-109-9-176	Ceramic, 25pF 50V	C-189, 87
020-109-9-177	Ceramic, 0.01uF 50V	C-190, 87
020-109-9-178	Ceramic, 0.002uF 50V	C-191, 87
020-109-9-179	Ceramic, 1uF 10V	C-192, 87
020-109-9-180	Ceramic, 100uF 10V	C-193, 87
020-109-9-181	Ceramic, 47pF 50V	C-194, 87
020-109-9-182	Ceramic, 100pF 50V	C-195, 87
020-109-9-183	Ceramic, 25pF 50V	C-196, 87
020-109-9-184	Ceramic, 0.01uF 50V	C-197, 87
020-109-9-185	Ceramic, 0.002uF 50V	C-198, 87
020-109-9-186	Ceramic, 1uF 10V	C-199, 87
020-109-9-187	Ceramic, 100uF 10V	C-200, 87
020-109-9-188	Ceramic, 47pF 50V	C-201, 87
020-109		