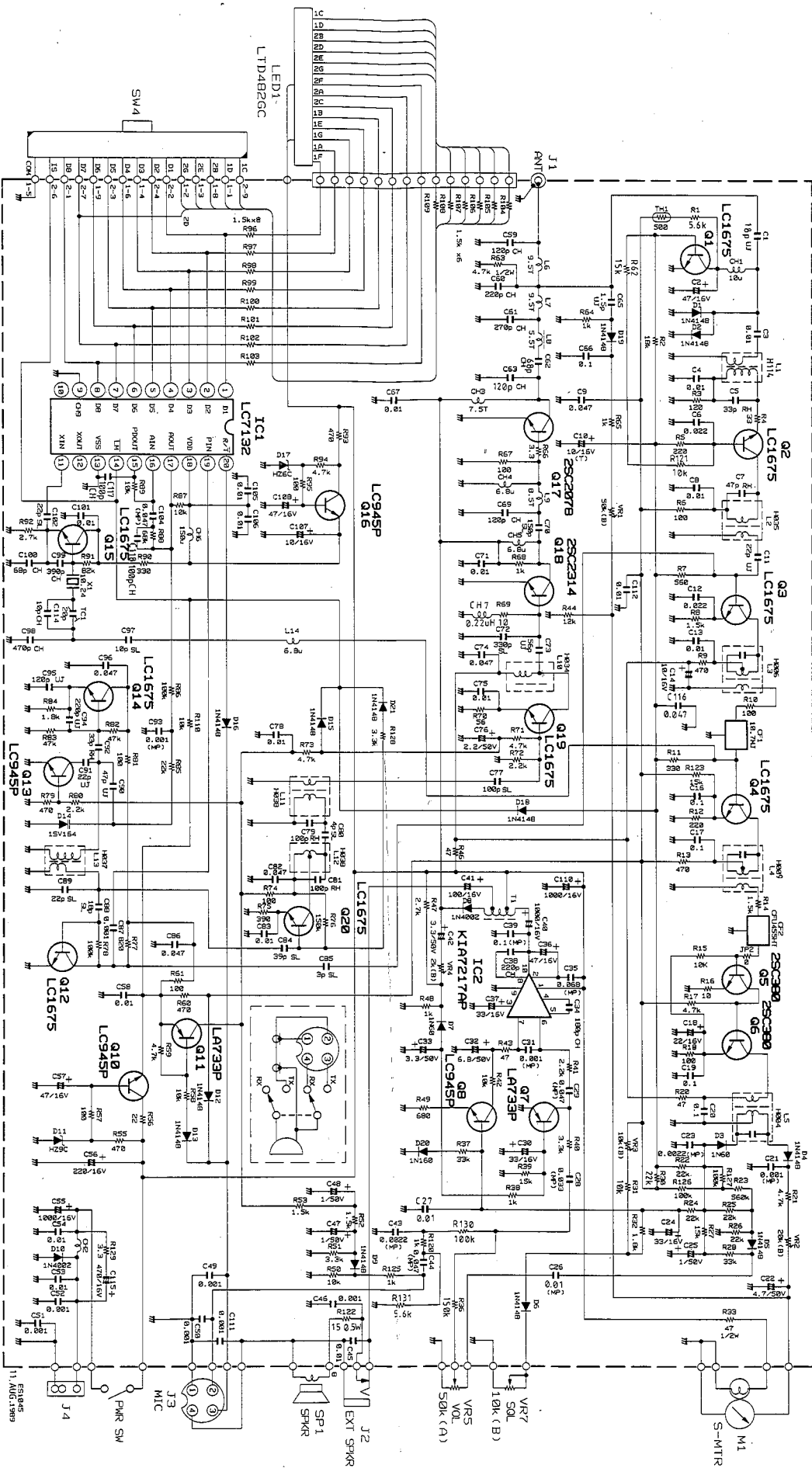


CIRCUIT DIAGRAM FOR COBRA 19LTD CLASSIC



- NOTES:
1. RESISTANCE VALUES ARE SHOWN IN OHMS UNLESS OTHERWISE NOTED.
(K=KILO OHM, M=MEG OHM)
 2. RESISTOR WATTAGES ARE 1/4W UNLESS OTHERWISE NOTED.
 3. CAPACITANCE VALUES ARE INDICATED IN MICROFARADS UNLESS OTHERWISE NOTED.
(P=PICTO-MICRO FARAD)
 4. CIRCUIT AND COMPONENTS ARE SUBJECT TO CHANGE WITHOUT NOTICE.

BILL OF MATERIAL FOR COBRA 19LTD CLASSIC

CIRCUIT SYMBOL	DESCRIPTION	DYNASCAN PART NO.
INTEGRATED CIRCUIT		
IC2	IC KIA7217AP	307-169-9-002
IC1	IC LC7132	309-012-N-001
TRANSISTORS		
Q18	TRANSISTOR 2SC2314(E)	178-120-9-001
Q17	TRANSISTOR 2SC2078(E)	172-062-9-001
Q5,6	TRANSISTOR 2SC 380 (O)	178-082-9-001
Q1,2,3,4,12, Q14,15,19,20 Q7,11	TRANSISTOR LC1675L	178-065-9-001
Q8,10,13,16	TRANSISTOR LA733P	177-020-9-001
	TRANSISTOR LC945P	178-055-9-002
DIODE		
D14	DIODE VARACTOR 1SV164	153-046-9-001
D3,7,20	DIODE 1N60	150-001-9-005
D8,10	DIODE 1N4002	151-082-9-001
D1,2,4,5,6,9,12,13 D15,16,18,19,21	DIODE 1N4148	151-038-9-001
LED 1	LED 7 SEG. 2 DIGIT LTD482GC	158-006-N-001
D17	DIODE ZENER HZ6C2 6.2V 0.5W	152-145-9-003
D11	DIODE ZENER HZ9C1 9.1V 0.5W	152-014-N-001
INDUCTORS		
CH1	COIL CHOKE AXIAL TYPE 10uH	047-004-N-001
CH6	COIL CHOKE AXIAL TYPE 150uH	047-004-N-002
CH7	COIL CHOKE AXIAL TYPE 0.22uH	047-004-N-004
CH4,5, L14	COIL CHOKE AXIAL TYPE 6.8uH	047-004-N-003
L9	COIL SPRING ASL085x090x080	047-005-N-001
L6,7	COIL SPRING ASL095x090x080	047-005-N-002
CH3	COIL SPRING ASR075x050x080	047-005-N-003
L8	COIL AIR WITH STAND 841-255	047-006-N-001
L10	IFT 27MHz 0237-767-H034	047-003-N-001
L2	IFT 27MHz 0237-76-H035	047-003-N-002
L1	IFT 27MHz 0237-882-H114	047-003-N-003
L13	IFT 18MHz 0237-767-H037	047-003-N-004
L11,12	IFT 27MHz 0237-767-H038	047-003-N-005
L5	IFT 455KHz 4140-767-H004	060-001-N-001
L3	IFT 10.7MHz 4143-767-H006	060-001-N-002
L4	IFT 455KHz 4140-767-H009	060-001-N-003

FIXED RESISTORS

NOTE:
Resistor tolerance: J = ±5% K = ±10%

R122	RES. C-FILM 15 OHM 1/2W J AXIAL
R33	RES. C-FILM 47 OHM 1/2W J AXIAL
R63	RES. C-FILM 4.7K OHM 1/2W J AXIAL

CIRCUIT SYMBOL	DESCRIPTION	DYNASCAN PART NO.
MISCELLANEOUS		
M1	ANALOG METER H-12	320-001-N-001
	ANT TERMINAL 10014-11	
	ANT TERMINAL 10014-6	
J1	ANTENNA RECEPTACLE 16-173B	773-003-N-001
	BLIND RIVET DIA 3.2x6	
	BRACKET	250-010-N-001
	BRACKET-MIC BODY	
	BUSHING BUSH-MUL FOR 2SC2078	
CF2	CER. FILTER CFU455HT	140-003-N-001
CF1	CER. FILTER SEP10.7MJ-A	140-002-N-001
SW4	CHANNEL SELECTOR GPS-0477 40 CH	083-001-N-001
	CHASSIS METAL	
	COMPOSITE DIAGRAM	499-003-P-001
	COVER BOTTOM	252-006-N-001
	COVER TOP	253-005-N-001
	DC CORD	420-005-N-001
J4	DC JACK YC-JK329	773-004-N-001
	FILTER-DISPLAY	380-019-N-001
	HEAT SINK	
	HOLDER-SPEAKER	
	I D PLATE - FCC	
	INLAY (A)	
	I.C. HOLDER	
	KNOB-CHANNEL	751-006-N-001
	KNOB-VOLUME	751-007-N-001
	MICA SHEET IS-126 FOR 2SC2314	
	MICA SHEET IS-313E FOR 2SC2078	
	MICROPHONE	545-051-N-001
	NUT-VOLUME M7	
	OUTER TOOTHED LOCK WASHER DIA 3	
	OUTER TOOTHED LOCK WASHER DIA 5	
	OWNER MANUAL	480-006-P-001
	PANEL FRONT	380-018-N-001
	PCB LED BOARD	
	PCB MAIN BOARD	
	SCREW-MOUNTING DIA 5x8mm	634-004-N001
	SHIELD CASE	
	SHIELD COVER	
	SHIELD PLATE	
	SLEEVE-JACK	
J3	SOCKET MIC 4 PIN 16-174C	773-005-N-001
SP1	SPEAKER 8 OHM 66R15	580-008-N-001
J2	SPEAKER JACK JC-304B	773-002-N-001
	WASHER-RUBBER	

CIRCUIT SYMBOL	DESCRIPTION	DYNASCAN PART NO.
SEMI-FIXED & VARIABLE RESISTORS		
VR7	POT. V16LN 20KQ B 10K OHM	008-005-N-001
VR5	POT. V16LS 20KQ A 50K OHM	008-006-N-001
VR3	SEMI-FIXED RES. 10K OHM B 30%	010-003-N-001
VR4	SEMI-FIXED RES. 2K OHM B 30%	010-003-N-002
VR2	SEMI-FIXED RES. 20K OHM B 30%	010-003-N-003
VR1	SEMI-FIXED RES. 50K OHM B 30%	010-003-N-004
THERMISTOR		
TH1	THERMISTOR 500 OHM 112-501-2	005-002-N-001
TRANSFORMERS		
T1	MOD TRANSFORMER AEC-607/892	061-003-N-001
CH2	CHOKO TRANSFORMER AEC-608/893	061-004-N-001
CRYSTAL		
X1	CRYSTAL 10.24MHz	135-005-N-001
CAPACITOR		

NOTE:
The first code indicates tolerance of capacitance:
C = ±0.25pF, D = ±0.5pF, F = ±1pF, G = ±2%, J = ±5%, K = ±10%, M = ±20%, Z = +70% -20%
The second code indicates variation of capacitance with temperature:
YA = ±5%, YB = ±10%, YD = +20 -30%, YE = +20 -50%, YF = +30 -70%, (-25~+85°C), ZF = +30 -80% (-10~+70°C), CH = 0±60ppm/°C, RH = -220ppm/°C ±60ppm/°C, CJ = 0 ±120ppm/°C, RJ = -220ppm/°C ±120ppm/°C, TH = -470ppm/°C ±60ppm/°C, UJ = -750ppm/°C ±120ppm/°C, SL = +350ppm/°C ~ -1000ppm/°C

C49,50,51,52,111	CER. CAP. 0.001uF/50V K B
C46,87	CER. CAP. 0.001uF/50V K B
C3,4,8,13,27,45,	CER. CAP. 0.01uF/50V Z F
C53,54,58,67,71,	
C75,78,83,101,105,	
C106,112	
C16,17,19,20,66	CER. CAP. 0.1uF/25V Z F
C6,12	CER. CAP. 0.022uF/60V Z F
C9,74,82,86,96,116	CER. CAP. 0.047uF/50V Z F
C10	TANTALUM CAP. 10uF/16V M
TC1	TRIM. CAP. TZ03R200ER110 20pF

NOTE: COMPONENTS NOT IDENTIFIED WITH
COBRA PART NUMBER MUST BE SOURCED LOCALLY.
PRINTED IN HONG KONG
499-003-P-001