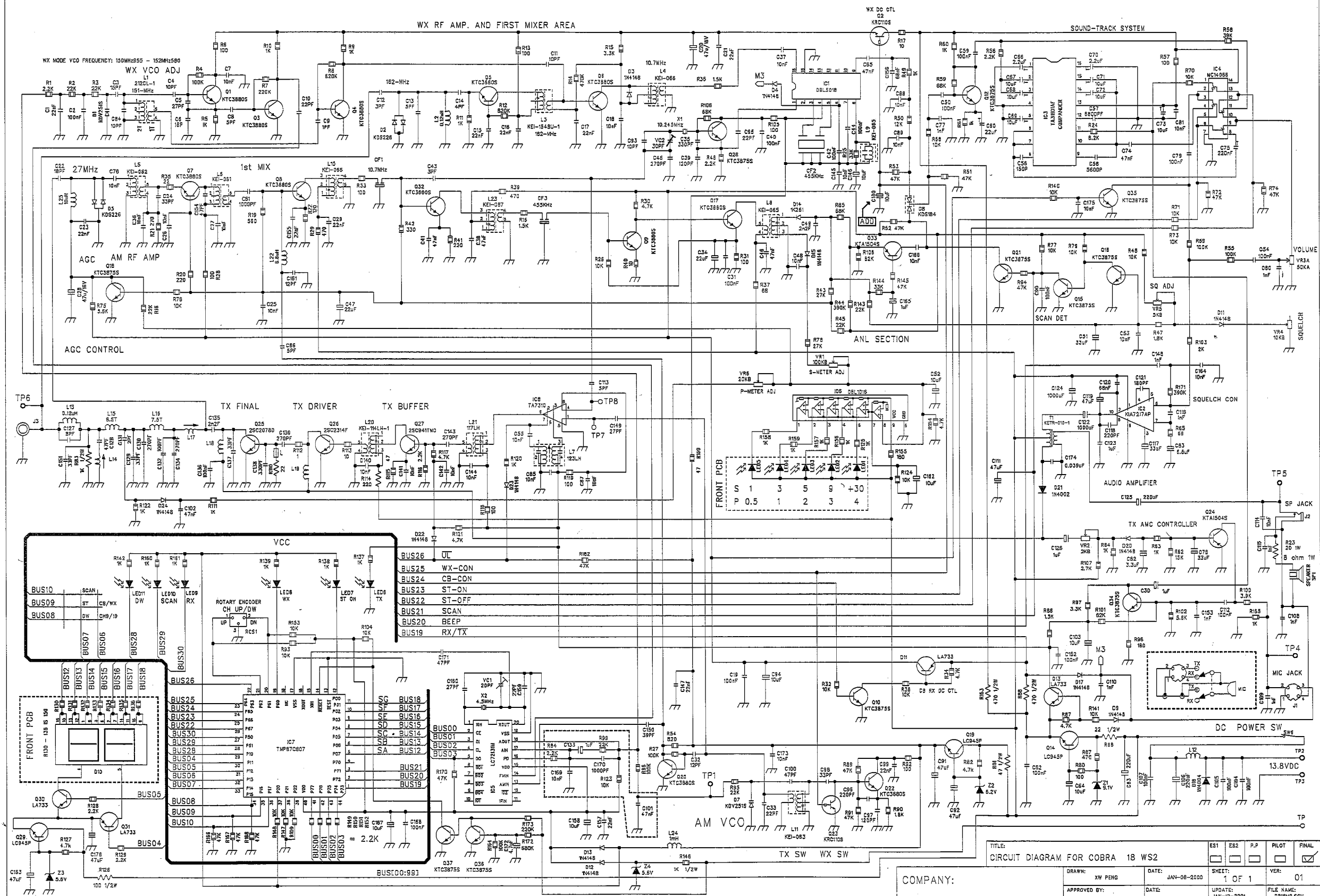


CIRCUIT DIAGRAM FOR COBRA 18WS2



TITLE: CIRCUIT DIAGRAM FOR COBRA 18 WS2		ES1	ES2	P.P	PILOT	FINAL
DRAWN: XW PENG	DATE: JAN-08-2000	<input type="checkbox"/>	<input type="checkbox"/>	<input type="checkbox"/>	<input type="checkbox"/>	<input checked="" type="checkbox"/>
APPROVED BY:	DATE:	UPDATE: JAN-12-2001	SHEET: 1 OF 1	VER: 01	FILE NAME: CB18WS2.SCH	

COMPANY: