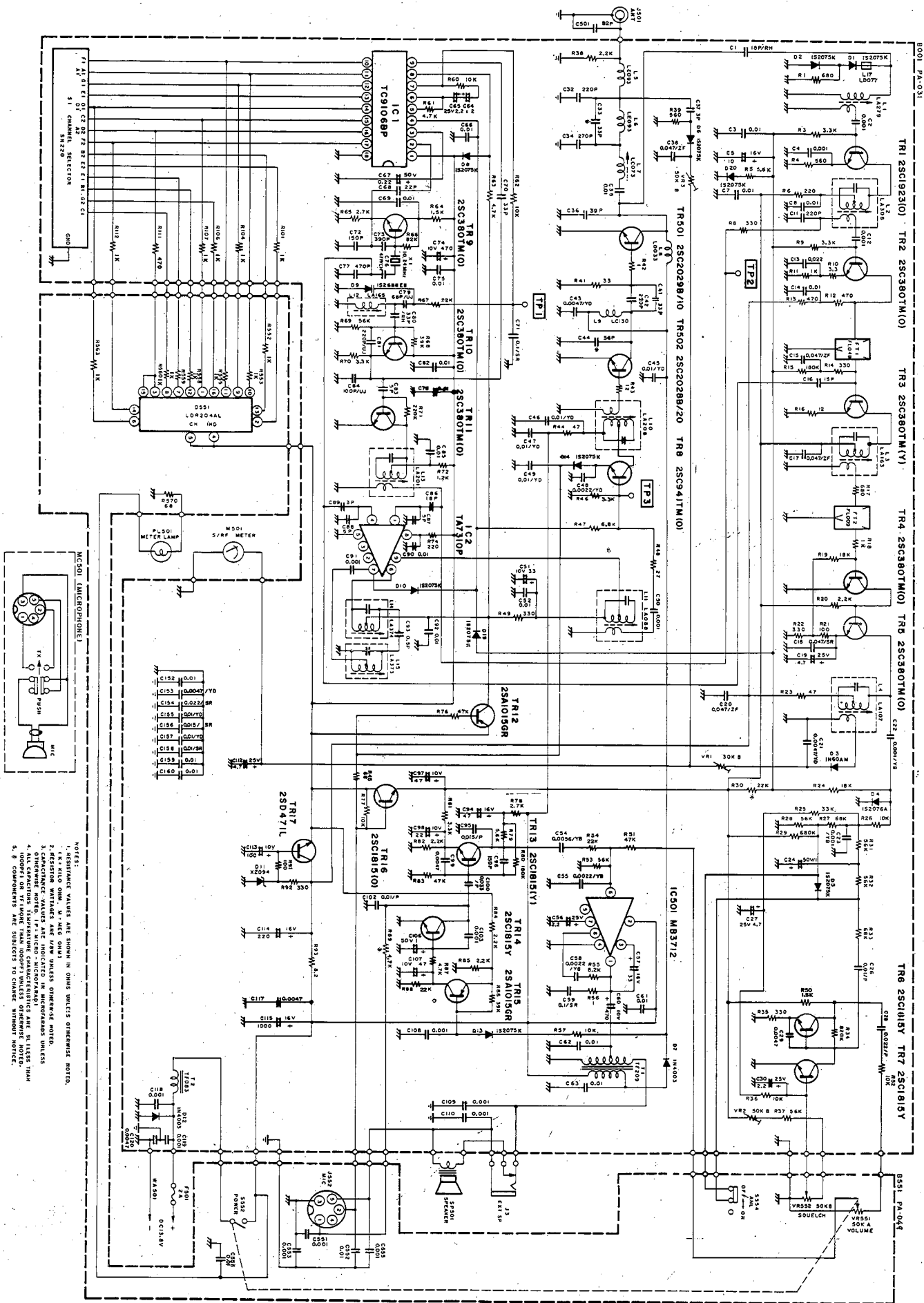


# CIRCUIT DIAGRAM FOR COBRA 18LTD



- NOTES:
1. RESISTANCE VALUES ARE SHOWN IN OHMS UNLESS OTHERWISE NOTED.
  2. RESISTOR VALUES ARE LOW UNLESS OTHERWISE NOTED.
  3. CAPACITANCE VALUES ARE INDICATED IN MICROFARADS UNLESS OTHERWISE NOTED.
  4. INDUCTOR VALUES ARE IN MILLI-HENRYS UNLESS OTHERWISE NOTED.
  5. & COMPONENTS ARE SUBJECTS TO CHANGE WITHOUT NOTICE.

8001 PA-031

TR1 25C1923(O) TR2 25C3801M(I)

TR3 25C3801M(I) TR4 25C3801M(I)

TR5 25C3801M(I) TR6 25C3801M(I)

TR8 25C1815Y TR7 25C1815Y

8351 PA-048

