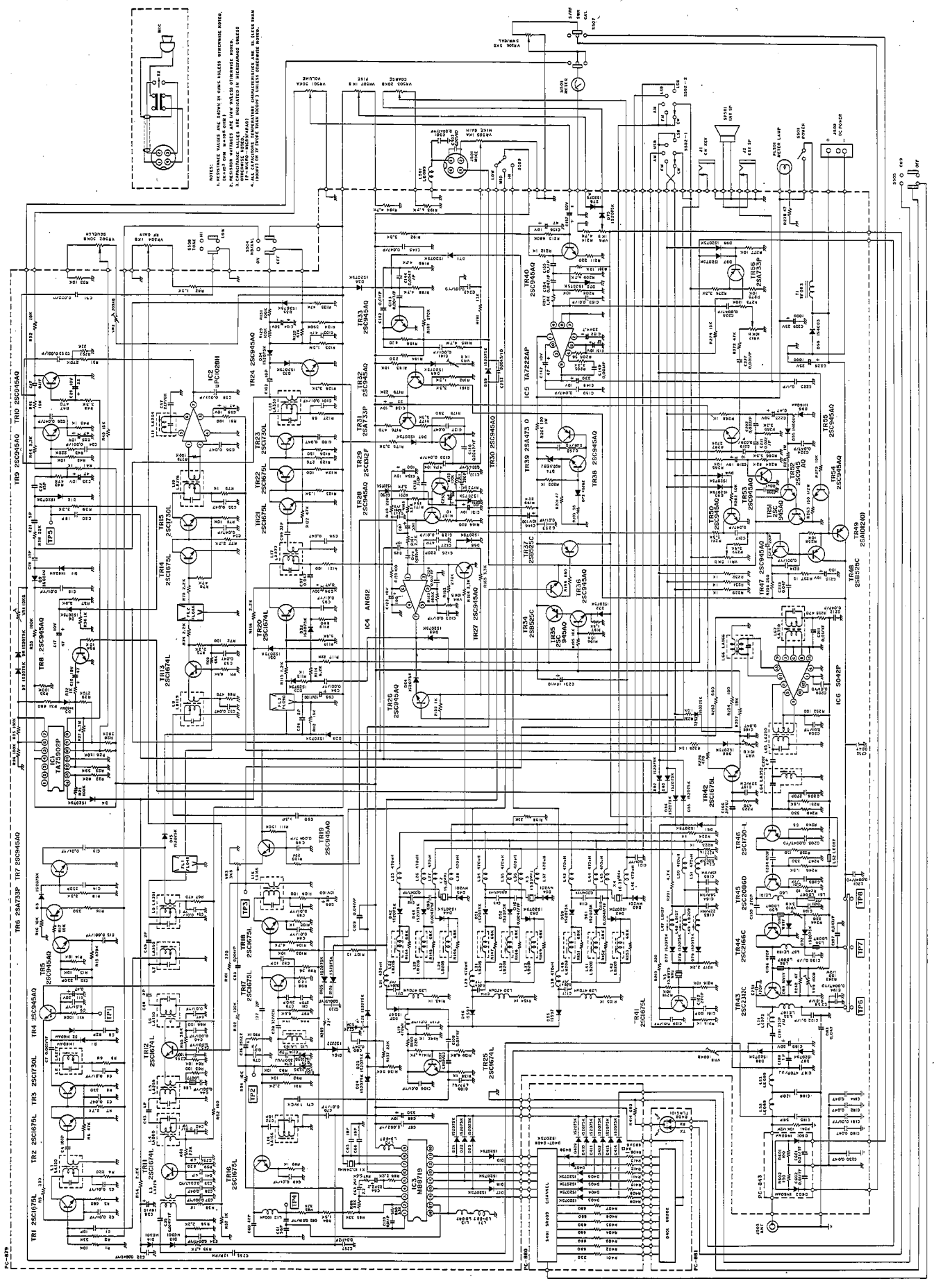


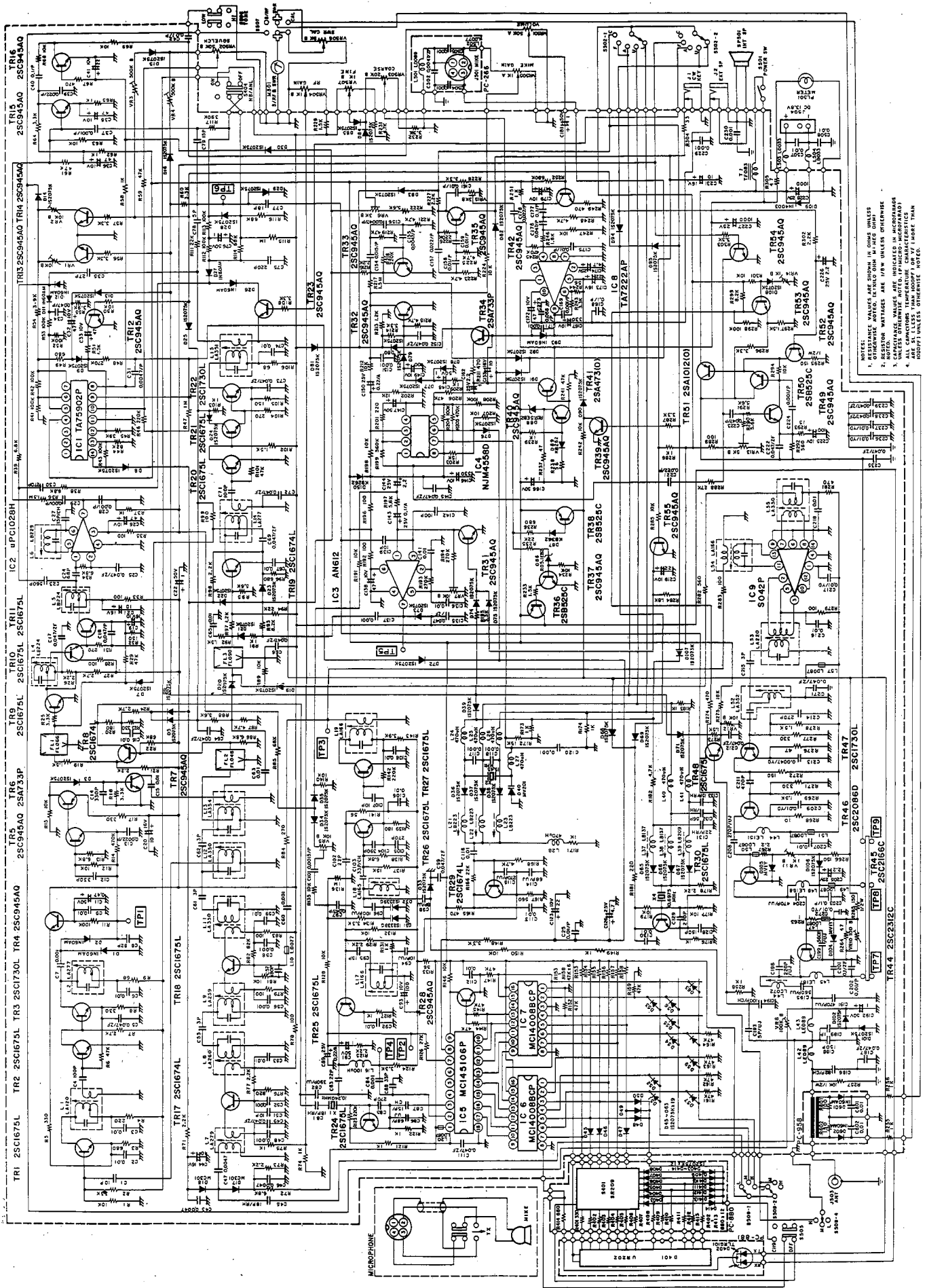
CIRCUIT DIAGRAM FOR COBRA 148GTL-DX

Early Version



Late Version

CIRCUIT DIAGRAM FOR COBRA 148GTL-DX



- 1. RESISTOR VALUES ARE SHOWN IN OHMS UNLESS OTHERWISE SPECIFIED.
- 2. RESISTOR VALUES ARE IN OHMS UNLESS OTHERWISE SPECIFIED.
- 3. CAPACITANCE VALUES ARE INDICATED IN MICROFARADS UNLESS OTHERWISE SPECIFIED.
- 4. ALL CAPACITORS TEMPERATURE CHARACTERISTICS ARE 50PPM UNLESS OTHERWISE NOTED.