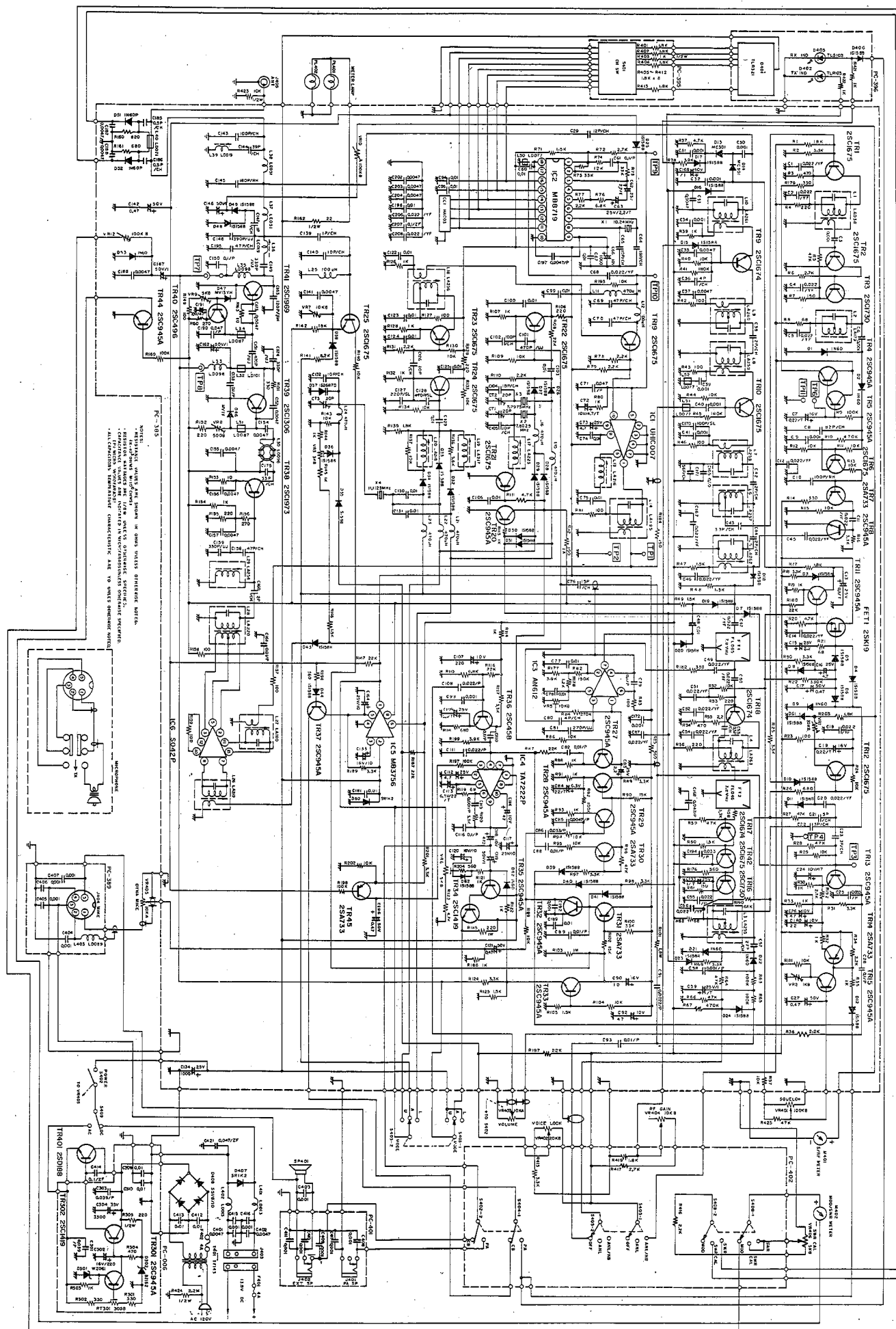


CIRCUIT DIAGRAM FOR COBRA 142GTL



BILL OF MATERIAL FOR COBRA 142GTL

CIRCUIT SYMBOL DYNASCAN PART NO.

SEMICONDUCTORS

Table listing semiconductor components including IC1 through IC6, FET-1, and various transistors with their descriptions and part numbers.

INDUCTORS

Table listing inductor components L-1 through L-19 with their descriptions and part numbers.

FIXED RESISTORS (Continued)

Table listing fixed resistor components R-81 through R-160 with their descriptions and part numbers.

CIRCUIT SYMBOL

INDUCTORS (Continued)

Table listing inductor components L-20 through L-52 with their descriptions and part numbers.

SEMI-FIXED & VARIABLE RESISTORS

Table listing semi-fixed and variable resistor components VR-401 through VR-406 with their descriptions and part numbers.

FIXED RESISTORS

Table listing fixed resistor components R-112 through R-150 with their descriptions and part numbers.

FIXED RESISTORS (Continued)

Table listing fixed resistor components R-151 through R-229 with their descriptions and part numbers.

CAPACITORS

Table listing capacitor components C-1 through C-29 with their descriptions and part numbers.

MISCELLANEOUS (Continued)

Table listing miscellaneous components including printed circuit boards, switches, and other parts.

CRYSTALS

Table listing crystal components CX-001 through CX-004 with their descriptions and part numbers.

MISCELLANEOUS

Table listing miscellaneous components including printed circuit boards, LEDs, and other parts.

MAY 11 1978

CIRCUIT SYMBOL DYNASCAN PART NO.

CIRCUIT SYMBOL DYNASCAN PART NO.

Solder Lug

710.022 9.001

MISCELLANEOUS (Continued)

710.022 9.002

Tapping Screw

3D x 8, Metric

710.022 9.002

| | | | | |
|------|------|--------|-------------|-------|
| L-2 | Coil | LA-19 | 060-020-002 | R-403 |
| L-10 | Coil | LA-19 | 060-020-002 | R-423 |
| L-13 | Coil | LA-216 | 060-030-002 | R-190 |
| L-19 | Coil | LA-217 | 060-030-003 | R-190 |

| CIRCUIT SYMBOL | DESCRIPTION | DYNASCAN PART NO. | CIRCUIT SYMBOL |
|---------------------------------------------------------------|--------------------------------------|-------------------|---------------------------|
| R-81 | Resistor, Carbon Film, 100 ohm 1/8W | 002-108-5-101 | R-73,75,100 |
| R-184 | Resistor, Carbon Film, 150 ohm 1/8W | 002-108-5-151 | R-5,28,59,64,86,96,425 |
| R-301,302 | Resistor, Carbon Film, 330 ohm 1/8W | 002-108-3-331 | R-190 |
| R-304 | Resistor, Carbon Film, 470 ohm 1/8W | 002-108-3-471 | R-93,83,65,92,169,197,198 |
| R-17,19,33,113,121,122,303,423,463,127,149 | Resistor, Carbon Film, 1K ohm 1/8W | 002-108-5-102 | R-190 |
| R-27,99,146 | Resistor, Carbon Film, 1.5K ohm 1/8W | 002-108-5-152 | |
| R-418 | Resistor, Carbon Film, 2.2K ohm 1/8W | 002-108-5-222 | |
| R-417 | Resistor, Carbon Film, 2.7K ohm 1/8W | 002-108-5-272 | |
| R-415 | Resistor, Carbon Film, 3.3K ohm 1/8W | 002-108-5-332 | |
| R-52,57,98,180 | Resistor, Carbon Film, 6.8K ohm 1/8W | 002-108-5-682 | |
| R-27 | Resistor, Carbon Film, 10K ohm 1/8W | 002-108-5-103 | |
| R-67 | Resistor, Carbon Film, 47K ohm 1/8W | 002-108-5-472 | |
| R-85 | Resistor, Carbon Film, 2.2K ohm 1/8W | 002-108-5-222 | |
| R-153 | Resistor, Carbon Film, 4.7K ohm 1/8W | 002-108-5-472 | |
| R-8,27,16,25,31,50,58 | Resistor, Carbon Film, 6.8K ohm 1/8W | 002-108-5-682 | |
| R-30,32,35,39,80,88,91 | Resistor, Carbon Film, 10K ohm 1/8W | 002-108-5-103 | |
| 93,107,114,126,128 | Resistor, Carbon Film, 15K ohm 1/8W | 002-108-5-152 | |
| 132,144,145,166 | Resistor, Carbon Film, 1.8K ohm 1/8W | 002-108-5-182 | |
| R-178 | Resistor, Carbon Film, 1.2K ohm 1/8W | 002-108-5-122 | |
| R-48,60,71,105,125 | Resistor, Carbon Film, 1.5K ohm 1/8W | 002-108-5-152 | |
| R-135,401,402,404,405,406,407,408,409,410,411,412,413 | Resistor, Carbon Film, 1.8K ohm 1/8W | 002-108-5-182 | |
| R-34,37,78,79,110,133,134,137,140,143 | Resistor, Carbon Film, 2.2K ohm 1/8W | 002-108-5-222 | |
| R-6,27,192 | Resistor, Carbon Film, 2.7K ohm 1/8W | 002-108-5-272 | |
| R-2,16,18,25,31,50,58,68,99,97,98,117,120,133,134,137,140,143 | Resistor, Carbon Film, 3.3K ohm 1/8W | 002-108-5-332 | |
| R-18,199,199 | Resistor, Carbon Film, 2.2K ohm 1/8W | 002-108-5-222 | |
| R-38,177 | Resistor, Carbon Film, 3.9K ohm 1/8W | 002-108-5-392 | |
| R-20,97,111,123 | Resistor, Carbon Film, 4.7K ohm 1/8W | 002-108-5-472 | |
| R-28 | Resistor, Carbon Film, 5.6K ohm 1/8W | 002-108-5-562 | |
| R-75 | Resistor, Carbon Film, 6.8K ohm 1/8W | 002-108-5-682 | |
| R-41 | Resistor, Carbon Film, 8.2K ohm 1/8W | 002-108-5-822 | |
| R-94,95,99,104,109,130,181,183 | Resistor, Carbon Film, 10K ohm 1/8W | 002-108-5-103 | |
| R-24,24 | Resistor, Carbon Film, 12K ohm 1/8W | 002-108-5-122 | |
| R-90,102 | Resistor, Carbon Film, 15K ohm 1/8W | 002-108-5-153 | |
| R-142 | Resistor, Carbon Film, 18K ohm 1/8W | 002-108-5-183 | |
| R-108,116,147,187,87 | Resistor, Carbon Film, 22K ohm 1/8W | 002-108-5-223 | |

| CIRCUIT SYMBOL | DESCRIPTION | DYNASCAN PART NO. | CIRCUIT SYMBOL |
|---------------------------|--------------------------------------|-------------------|----------------|
| R-73,75,100 | Resistor, Carbon Film, 33K ohm 1/8W | 002-108-5-333 | |
| R-5,28,59,64,86,96,425 | Resistor, Carbon Film, 47K ohm 1/8W | 002-108-5-473 | |
| R-190 | Resistor, Carbon Film, 68K ohm 1/8W | 002-108-5-683 | |
| R-93,83,65,92,169,197,198 | Resistor, Carbon Film, 100K ohm 1/8W | 002-108-5-104 | |
| R-190 | Resistor, Carbon Film, 150K ohm 1/8W | 002-108-5-154 | |
| R-190 | Resistor, Carbon Film, 200K ohm 1/8W | 002-108-5-204 | |
| R-190 | Resistor, Carbon Film, 300K ohm 1/8W | 002-108-5-304 | |
| R-190 | Resistor, Carbon Film, 470K ohm 1/8W | 002-108-5-474 | |
| R-190 | Resistor, Carbon Film, 1M ohm 1/8W | 002-108-5-105 | |

| CIRCUIT SYMBOL | DESCRIPTION | DYNASCAN PART NO. |
|----------------|----------------------------------------------------------------------------------------------------------------------------------------------------------------------------------------------------------------------------------------------------------|-----------------------------------------------------------------------------------------------------------------------------------------------------------------------------------------|
| CT-1,2,3 | Capacitor, Tantalum, 30pF | 028-053-9-001 |
| C-130,109 | Capacitor, Electrolytic, 3300pF 50V | 027-025-1-001 |
| C-9,193 | Capacitor, Tantalum, 0.1uF 25V 420K | 027-025-1-001 |
| C-9,193 | Capacitor, Tantalum, 0.22uF 16V 420K | 027-035-6-002 |
| C-9,193 | Capacitor, Tantalum, 1uF 25V 420K | 027-035-6-003 |
| C-9,193 | Capacitor, Tantalum, 2.2uF 25V 420K | 027-031-9-001 |
| C-9,193 | Capacitor, Tantalum, 4.7uF 10V 420K | 027-026-9-005 |
| C-9,193 | Capacitor, Tantalum, 10uF 10V 420K | 027-035-9-004 |
| C-9,193 | Capacitor, Electrolytic, 0.47uF 50V | 022-157-9-001 |
| C-9,193 | Capacitor, Electrolytic, 1uF 50V | 022-157-9-002 |
| C-9,193 | Capacitor, Electrolytic, 2.2uF 50V | 022-171-9-003 |
| C-9,193 | Capacitor, Electrolytic, 4.7uF 50V | 022-171-9-004 |
| C-9,193 | Capacitor, Electrolytic, 10uF 50V | 022-157-8-004 |
| C-9,193 | Capacitor, Electrolytic, 10uF 25V | 022-171-9-001 |
| C-9,193 | Capacitor, Electrolytic, 22uF 10V | 022-163-9-001 |
| C-9,193 | Capacitor, Electrolytic, 47uF 10V | 022-169-9-002 |
| C-9,193 | Capacitor, Electrolytic, 220uF 10V | 022-171-9-002 |
| C-9,193 | Capacitor, Electrolytic, 220uF 16V | 022-162-9-003 |
| C-9,193 | Capacitor, Electrolytic, 470uF 10V | 022-171-9-003 |
| C-9,193 | Capacitor, Electrolytic, 1000uF 10V | 022-171-9-004 |
| C-9,193 | Capacitor, Electrolytic, 0.001uF 50V 10% 0.0022uF 50V 10% 0.0047uF 50V 10% 0.01uF 50V 10% 0.022uF 50V 10% 0.033uF 50V 10% 0.039uF 50V 10% 0.047uF 50V 10% 0.056uF 50V 10% 0.068uF 50V 10% 0.082uF 50V 10% 0.1uF 50V 10% | 025-126-9-001 025-126-9-001 025-126-9-001 025-121-9-002 025-121-9-002 025-121-9-004 025-121-9-004 025-121-9-005 025-121-9-006 025-121-9-006 025-121-9-001 |
| C-9,193 | Capacitor, Ceramic, 0.5pF 50V 10-25pF | 020-200-9-001 |
| C-9,193 | Capacitor, Ceramic, 1pF 50V 10-25pF | 020-200-9-001 |
| C-9,193 | Capacitor, Ceramic, 1.5pF 50V 10-25pF | 020-200-9-001 |
| C-9,193 | Capacitor, Ceramic, 2pF 50V 10-25pF | 020-180-9-002 |
| C-9,193 | Capacitor, Ceramic, 3pF 50V 10-25pF | 020-180-9-003 |
| C-9,193 | Capacitor, Ceramic, 4pF 50V 10-25pF | 020-190-9-031 |
| C-9,193 | Capacitor, Ceramic, 5pF 50V 10-25pF | 020-200-9-003 |
| C-9,193 | Capacitor, Ceramic, 10pF 50V 15% | 020-181-9-009 |
| C-9,193 | Capacitor, Ceramic, 12pF 50V 15% | 020-190-9-033 |
| C-9,193 | Capacitor, Ceramic, 15pF 50V 15% | 020-180-9-001 |

| CIRCUIT SYMBOL | DESCRIPTION | DYNASCAN PART NO. |
|----------------------------------------------------------------------------------------------------------------------------------------------------------------------------------------------------------------------------------------------------------------------------------------------------------------------------------------------------------------------------------------------------------------------------------------------------------------------------------------------------------------------------------------------------------------------------------------------------------------------------------------------------------------------------------------------------------------------------------------------------------------------------------------------------------------------------------------------------------------------------------------------------------------------------------------------------------------------------------------------------------------------------------------------------------------------------------------------------------------------------------------------------------------------------------------------------------------------------------------------------------------------------------------------------------------------------------------------------------------------------------------------------------------------------------------------------------------------------------------------------------------------------------------------------------------------------------------------------------------------------------------------------------------------------------------------------------------------------------------------------------------------------------------------------------------------------------------------------------------------------------------------------------------------------------------------------------------------------------------------------------------------------------------------------------------------------------------------------------------------------------------------------------------------------------------------------------------------------------------------------------------------------------------------------------------------------------------------------------------------------------------------------------------------------------------------------------------------------------------------------------------------|---------------------------------------|-------------------|
| C-64,104 | Capacitor, Ceramic, 18pF 50V 45% | 020-200-9-004 |
| C-67 | Capacitor, Ceramic, 22pF 50V 45% | 020-200-9-004 |
| C-43,75 | Capacitor, Ceramic, 33pF 50V 45% | 020-204-0-006 |
| C-69,101,158,195 | Capacitor, Ceramic, 39pF 50V 45% | 020-204-0-009 |
| C-171 | Capacitor, Ceramic, 47pF 50V 45% | 020-192-9-001 |
| C-8 | Capacitor, Ceramic, 56pF 50V 45% | 020-211-9-001 |
| C-102,143 | Capacitor, Ceramic, 82pF 50V 45% | 020-190-9-034 |
| C-10 | Capacitor, Ceramic, 100pF 50V 10% | 020-204-9-010 |
| C-163 | Capacitor, Ceramic, 120pF 50V 10% | 020-181-9-006 |
| C-145 | Capacitor, Ceramic, 180pF 50V 10% | 020-204-9-011 |
| C-81 | Capacitor, Ceramic, 220pF 50V 10% | 020-204-9-012 |
| C-149,159,174 | Capacitor, Ceramic, 330pF 50V 10% | 020-204-9-012 |
| C-151 | Capacitor, Ceramic, 390pF 50V 10% | 020-175-016 |
| C-170 | Capacitor, Ceramic, 470pF 50V 10% | 020-180-9-018 |
| C-172 | Capacitor, Ceramic, 220pF 50V 10% | 020-180-9-019 |
| C-178 | Capacitor, Ceramic, 470pF 50V 10% | 020-205-9-009 |
| C-3,6,9,30,31,32,34,39,40,41,98,101,165,172,192,408,409,410,411,412,413,414,415,416,417,418,419,420,421,422,423,424,425,426,427,428,429,430,431,432,433,434,435,436,437,438,439,440,441,442,443,444,445,446,447,448,449,450,451,452,453,454,455,456,457,458,459,460,461,462,463,464,465,466,467,468,469,470,471,472,473,474,475,476,477,478,479,480,481,482,483,484,485,486,487,488,489,490,491,492,493,494,495,496,497,498,499,500,501,502,503,504,505,506,507,508,509,510,511,512,513,514,515,516,517,518,519,520,521,522,523,524,525,526,527,528,529,530,531,532,533,534,535,536,537,538,539,540,541,542,543,544,545,546,547,548,549,550,551,552,553,554,555,556,557,558,559,560,561,562,563,564,565,566,567,568,569,570,571,572,573,574,575,576,577,578,579,580,581,582,583,584,585,586,587,588,589,590,591,592,593,594,595,596,597,598,599,600,601,602,603,604,605,606,607,608,609,610,611,612,613,614,615,616,617,618,619,620,621,622,623,624,625,626,627,628,629,630,631,632,633,634,635,636,637,638,639,640,641,642,643,644,645,646,647,648,649,650,651,652,653,654,655,656,657,658,659,660,661,662,663,664,665,666,667,668,669,670,671,672,673,674,675,676,677,678,679,680,681,682,683,684,685,686,687,688,689,690,691,692,693,694,695,696,697,698,699,700,701,702,703,704,705,706,707,708,709,710,711,712,713,714,715,716,717,718,719,720,721,722,723,724,725,726,727,728,729,730,731,732,733,734,735,736,737,738,739,740,741,742,743,744,745,746,747,748,749,750,751,752,753,754,755,756,757,758,759,760,761,762,763,764,765,766,767,768,769,770,771,772,773,774,775,776,777,778,779,780,781,782,783,784,785,786,787,788,789,790,791,792,793,794,795,796,797,798,799,800,801,802,803,804,805,806,807,808,809,810,811,812,813,814,815,816,817,818,819,820,821,822,823,824,825,826,827,828,829,830,831,832,833,834,835,836,837,838,839,840,841,842,843,844,845,846,847,848,849,850,851,852,853,854,855,856,857,858,859,860,861,862,863,864,865,866,867,868,869,870,871,872,873,874,875,876,877,878,879,880,881,882,883,884,885,886,887,888,889,890,891,892,893,894,895,896,897,898,899,900,901,902,903,904,905,906,907,908,909,910,911,912,913,914,915,916,917,918,919,920,921,922,923,924,925,926,927,928,929,930,931,932,933,934,935,936,937,938,939,940,941,942,943,944,945,946,947,948,949,950,951,952,953,954,955,956,957,958,959,960,961,962,963,964,965,966,967,968,969,970,971,972,973,974,975,976,977,978,979,980,981,982,983,984,985,986,987,988,989,990,991,992,993,994,995,996,997,998,999,1000 | 020-204-9-020 | |
| CC-1 | Capacitor, Ceramic, 0.0022uF 50V -20% | 020-204-9-020 |
| C-421 | Capacitor, Ceramic, 0.0047uF 50V -20% | 020-204-9-021 |
| C-207,414 | Capacitor, Ceramic, 0.1uF 50V -20% | 020-204-9-022 |
| X-1 | Crystal OX-077, 10.24 MHz | 133-014-9-001 |
| X-4 | Crystal OX-084, 11.1125 MHz | 133-019-9-001 |
| X-3 | Crystal OX-083, 7.7975 MHz | 133-019-9-002 |
| X-2 | Crystal OX-084, 7.8025 MHz | 133-019-9-003 |

| CIRCUIT SYMBOL | DESCRIPTION | DYNASCAN PART NO. |
|----------------|-------------------------------------------------|-------------------|
| FT-1 | Printed Circuit Board, PA EXT SP Jack, PC-401AA | 143-006-9-001 |
| FT-2 | Printed Circuit Board, Slider Switch, PC-402AA | 143-006-9-002 |
| FT-2 | Crystal Filter, FI-065 | 083-241-9-001 |
| S-403 | Relay Switch, SR-205, Mole Switch | 083-241-9-002 |
| S-401 | Relay Switch, SR-208, Channel Switch | 084-065-9-001 |
| S-408-1,2 | Slide Switch, SW-116, ANL/NBL/MOD | 084-065-9-001 |
| S-404 | Slide Switch, SW-117, PA/OC | 084-065-9-002 |
| S-409 | Slide Switch, SW-099, AC/DC | 084-065-9-003 |
| SP-401 | Speaker, SP-014, S/FR 70W | 320-097-9-001 |
| W-401 | Microphone, MK-137, MOD/SWR | 320-097-9-002 |
| W-402 | Microphone, MK-091 | 582-026-9-001 |
| J-405 | Connector, JK-068, Antenna | 772-036-9-001 |
| J-404 | Connector, JK-052, DC FWR | 772-029-9-001 |
| J-403 | Connector, JK-010, PA/EXT SP | 749-087-9-001 |
| J-401,402 | Socket, Crystal, SK-023 | 757-042-9-001 |
| TP-1,3,6,9,10 | Lug Terminal, TP-019 | 757-042-9-002 |
| TP-2,4,11 | Terminal, Test Point, TP-020 | 757-042-9-002 |
| TP-7,8 | Terminal, Test Point, TP-027 | 757-042-9-002 |
| TR-1,18 | Fuse Holder, FH-002 | 742-035-9-001 |
| PL-401,402 | Fuse FS-012, 4A | 194-005-9-001 |
| B-1 | Fuse FS-012, 14V/50mA | 191-251-3-004 |
| | Pilot Lamp, PL-088,012 14V/50mA | 400-056-9-001 |
| | Insulation Bushing, YD-003-002 | 350-006-9-002 |
| | Insulation Bushing, YD-004-001 | 350-006-9-001 |
| | Insulation Plate, YD-040 | 350-006-9-001 |
| | Insulation Plate, YD-033 | 349-006-9-002 |
| | Insulation Plate, YD-036 | 349-006-9-001 |
| | Insulation Plate, YD-038 | 350-006-9-001 |
| | Insulation Plate, YD-047 | 350-006-9-001 |
| | Wire Chamfer, YD-039 | 350-007-9-001 |
| | Wire Chamfer, YD-049 | 350-007-9-002 |
| | Wire Connector, YY-008 | 763-083-9-001 |
| | Wire Connector, YY-023 | 380-280-9-001 |
| | Bushing, Snap-In, YY-024 | 380-280-9-002 |
| | Bushing, Snap-In, WY-025 | 286-272-9-001 |
| | DC Power Cord, WZ-022 | 420-027-9-001 |
| | AC Power Cord, WZ-022 | 420-027-9-001 |
| | Chassis | 257-106-9-001 |
| | Rear Panel | 282-021-9-001 |
| | Cover, Top | 253-057-9-001 |
| | Cover, Bottom | 252-022-9-001 |
| | Switch Holder | 251-206-9-001 |
| | Panel Holder (R) | 251-191-9-001 |
| | Panel Holder (L) | 251-208-9-001 |
| | Heat Sink | 747-064-9-002 |
| | Heat Sink | 251-209-9-001 |
| | Pilot Lamp Bracket | 251-123-9-002 |
| | Transformer Holder | 251-229-9-001 |
| | Microphone Hanger | 741-074-9-001 |

MAY 11 1978

| CIRCUIT SYMBOL | DESCRIPTION | DYNASCAN PART NO. |
|---------------------|---------------|-------------------|
| Solder Lug | 740-024-9-001 | |
| Front Panel | 255-171-9-001 | |
| Knob | 751-095-9-002 | |
| Knob | 751-132-9-002 | |
| Knob | 751-147-9-002 | |
| Control Knob | 751-147-9-003 | |
| Control Nameplate | 280-161-9-001 | |
| Brand Nameplate | 280-161-9-002 | |
| Serial Number Label | 763-085-9-003 | |
| Caution Label | 347-072-9-001 | |
| Caution Label | 343-024-9-001 | |
| Caution Label | 343-024-9-002 | |
| Wood Coated Paper | 769-086-9-001 | |
| Wood Coated Paper | 769-086-9-002 | |
| Wood | | |