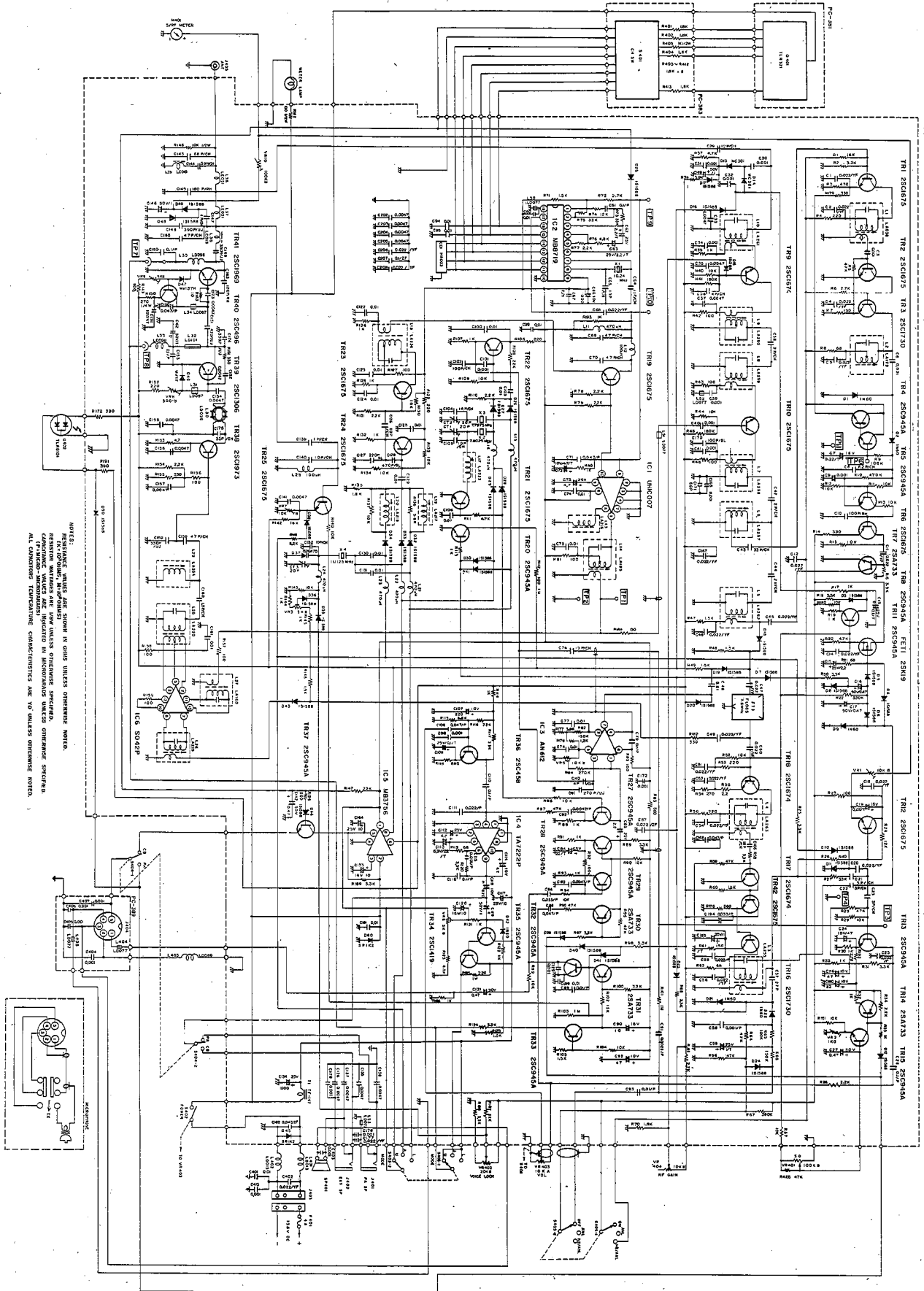


CIRCUIT DIAGRAM FOR COBRA 140GTL



NOTES:
 RESISTANCE VALUES ARE SHOWN IN OHMS UNLESS OTHERWISE NOTED.
 RESISTOR VALUES ARE IN OHMS UNLESS OTHERWISE SPECIFIED.
 CAPACITANCE VALUES ARE IN MICROFARADS UNLESS OTHERWISE SPECIFIED.
 ALL CAPACITORS TEMPERATURE CHARACTERISTICS ARE 50 UNLESS OTHERWISE NOTED.

BILL OF MATERIAL FOR COBRA 140GTL

CIRCUIT SYMBOL	DESCRIPTION	DYNASCAN PART NO.
SEMICONDUCTORS		
IC1	Integrated Circuit, UHIC-007	307-143-9-001
IC2	Integrated Circuit, M88719	307-128-9-002
IC3	Integrated Circuit, AN812	307-143-9-002
IC4	Integrated Circuit, TA7222P	307-143-9-005
IC5	Integrated Circuit, M83756	307-143-9-005
IC6	Integrated Circuit, S042P	307-143-9-004
FET1	Field Effect Transistor, 2SK19-RL	182-037-9-001
TR-7,14,30,31	Transistor, 2SA733P	177-020-9-001
TR-36	Transistor, 2SC458-C	176-048-9-002
TR-4,5,8,11,13,15,20,27,28,29,32,33,35,38,38	Transistor, 2SC945A-Q	176-062-9-001
TR-24,25,42	Transistor, 2SC1418-C	176-055-9-004
TR-9,18,17	Transistor, 2SC1674-L	176-081-9-002
TR-1,2,6,10,12,19,21,22,23,24,25,26,27,28,29,30,31,32,33,34,35,38,38,39,40,41,43,44,48,49	Diode, 1S1588	151-051-9-001
D-3,4,5,6,7,8,10,11,12	Diode, 1N80	150-001-9-005
D-20	Diode, M3C301	151-023-9-001
D-12,14	Diode, SRT-K2	151-045-9-001
D-402	Diode, LED, TLRG101	158-020-9-001
D-401	Diode, Varistor, TLR321	158-020-9-001
D-46	Diode, Varistor, MV-1Y	004-175-9-001
D-47	Diode, Varistor, MV-13YH	153-011-9-001
D-37	Diode, Varicap, 1S2687D	153-008-9-001
INDUCTORS		
L-1	Coil, LA-038	060-018-9-001
L-27	Coil, LA-160	060-025-9-008
L-2	Coil, LA-179	060-025-9-010
L-14	Coil, LA-195	060-030-9-001
L-13	Coil, LA-216	060-030-9-002
L-19	Coil, LA-217	060-030-9-004
L-20	Coil, LA-218	060-030-9-005
L-26	Coil, LA-220	060-030-9-005
L-28	Coil, LA-223	060-030-9-006
L-17	Coil, LA-254	060-030-9-002
L-29	Coil, LA-255	060-030-9-009
L-3	Coil, LA-255	060-030-9-009

CIRCUIT SYMBOL	DESCRIPTION	DYNASCAN PART NO.
L-18	Coil, LA-256	060-030-9-010
L-6	Coil, LA-257	060-030-9-011
L-7	Coil, LA-258	060-030-9-012
L-8	Coil, LA-259	060-030-9-013
L-9	Coil, LA-260	060-030-9-014
L-10	Coil, LA-261	060-030-9-015
L-4	Coil, LA-262	060-030-9-016
L-5	Coil, LA-263	060-030-9-017
L-63,404,405,50,51,52	Coil, LA-D077	763-034-9-001
L-36,39	Coil, LD-019	044-033-9-001
L-401,402	Coil, LD-019	044-033-9-001
L-403	Coil, LD-089	044-048-9-002
L-30	Coil, LD-089	044-048-9-002
L-35,33	Coil, LD-089	044-053-9-002
L-33,38	Coil, LD-101	044-053-9-004
L-37,38	Coil, LE-051	044-003-9-005
L-12,28	Micro Inductor, LZ-012	041-088-9-003
L-11,15,16,21,22,23,24	Micro Inductor, LZ-012	041-088-9-004
L-1	Choke Coil, Line Filter, TF-147	046-023-9-001
VR-401	Resistor, Variable, RV-204 100K ohm B, Squatch	008-342-9-003
VR-402	Resistor, Variable, RV-203 20K ohm B, Voice Lock	008-342-9-004
VR-403	Resistor, Variable, RV-205 10K ohm A, Volume Control	008-342-9-005
VR-404	Resistor, Variable, RV-316 10K ohm B, RF Gain	008-342-9-006
FIXED RESISTORS		
R-185	Resistor, Metallic Film, 220 ohm 1W ±10%	001-001-6-221
R-150	Resistor, Metallic Film, 100 ohm 1W ±5%	002-001-6-101
R-151	Resistor, Carbon Film, 210 ohm 1/2W ±5%	002-102-5-212
R-403	Resistor, Carbon Film, 140 ohm 1/2W ±5%	002-102-5-142
R-148	Resistor, Carbon Film, 10K ohm 1/2W ±10%	001-102-6-103
R-99	Resistor, Carbon Film, 2.2 ohm 1/8W ±5%	002-108-5-229
R-98	Resistor, Carbon Film, 4.7 ohm 1/8W ±5%	002-108-5-479
R-163	Resistor, Carbon Film, 10 ohm 1/8W ±5%	002-108-5-100
R-162	Resistor, Carbon Film, 100 ohm 1/2W ±10%	001-102-6-101
R-8,21,62,19	Resistor, Carbon Film, 68 ohm 1/8W ±5%	002-108-5-680
R-23,42,43,48,83,122	Resistor, Carbon Film, 100 ohm 1/8W ±5%	002-108-5-101
R-7,61	Resistor, Carbon Film, 150 ohm 1/8W ±5%	002-108-5-151
R-4,53,56,106,129,152	Resistor, Carbon Film, 220 ohm 1/8W ±5%	002-108-5-221
R-14,151,155,179,182	Resistor, Carbon Film, 330 ohm 1/8W ±5%	002-108-5-331
R-3	Resistor, Carbon Film, 470 ohm 1/8W ±5%	002-108-5-471
R-85,176,194	Resistor, Carbon Film, 560 ohm 1/8W ±5%	002-108-5-561
R-26,118	Resistor, Carbon Film, 680 ohm 1/8W ±5%	002-108-5-681

CIRCUIT SYMBOL	DESCRIPTION	DYNASCAN PART NO.
R-172,191	Resistor, Carbon Film, 150 ohm 1/8W ±5%	002-108-5-151
R-54	Resistor, Carbon Film, 270 ohm 1/8W ±5%	002-108-5-271
R-178	Resistor, Carbon Film, 1.2K ohm 1/8W ±5%	002-108-5-122
R-135,401,402,404,405,406,407,408,409,410,411,412,413	Resistor, Carbon Film, 1.8K ohm 1/8W ±5%	002-108-5-182
R-48,71,105,60,125	Resistor, Carbon Film, 1.5K ohm 1/8W ±5%	002-108-5-152
R-34,36,79,77,78,110,131,154	Resistor, Carbon Film, 2.2K ohm 1/8W ±5%	002-108-5-222
R-6,72,192,183	Resistor, Carbon Film, 2.7K ohm 1/8W ±5%	002-108-5-272
R-21,6,18,68,25,31,50,189,58,89,97,98,117,124,120	Resistor, Carbon Film, 3.3K ohm 1/8W ±5%	002-108-5-332
R-30,35,39,80,85,91,93,107,121,126,136,132,144,145,186,32,114,193	Resistor, Carbon Film, 1K ohm 1/8W ±5%	002-108-5-102
R-38,177	Resistor, Carbon Film, 3.9K ohm 1/8W ±5%	002-108-5-392
R-30,177	Resistor, Carbon Film, 4.7K ohm 1/8W ±5%	002-108-5-472
R-12,11,113	Resistor, Carbon Film, 5.6K ohm 1/8W ±5%	002-108-5-562
R-78	Resistor, Carbon Film, 6.8K ohm 1/8W ±5%	002-108-5-682
R-141	Resistor, Carbon Film, 8.2K ohm 1/8W ±5%	002-108-5-822
R-11,12,13,15,29,40,44,50,94,99,109,181,190,133,134,137,143,140,104	Resistor, Carbon Film, 10K ohm 1/8W ±5%	002-108-5-103
R-24,74	Resistor, Carbon Film, 12K ohm 1/8W ±5%	002-108-5-123
R-102	Resistor, Carbon Film, 15K ohm 1/8W ±5%	002-108-5-153
R-142,1	Resistor, Carbon Film, 18K ohm 1/8W ±5%	002-108-5-183
R-41,116,147,108,187	Resistor, Carbon Film, 22K ohm 1/8W ±5%	002-108-5-223
R-73,75,100	Resistor, Carbon Film, 47K ohm 1/8W ±5%	002-108-5-473
R-5,28,59,64,96,66,87,95	Resistor, Carbon Film, 47K ohm 1/8W ±5%	002-108-5-473
R-9,63,65,92	Resistor, Carbon Film, 100K ohm 1/8W ±5%	002-108-5-104
R-82	Resistor, Carbon Film, 150K ohm 1/8W ±5%	002-108-5-154
R-45	Resistor, Carbon Film, 180K ohm 1/8W ±5%	002-108-5-184
R-84	Resistor, Carbon Film, 270K ohm 1/8W ±5%	002-108-5-274
R-22	Resistor, Carbon Film, 330K ohm 1/8W ±5%	002-108-5-334
R-103,101	Resistor, Carbon Film, 470K ohm 1/8W ±5%	002-108-5-474
R-184	Resistor, Carbon Film, 1M ohm 1/8W ±5%	002-108-5-105
R-4,26	Resistor, Carbon Film, 1.5M ohm 1/8W ±5%	002-108-5-151
R-17,19,33, 13,122	Resistor, Carbon Film, 1.8K ohm 1/8W ±5%	002-108-5-182
R-70	Resistor, Carbon Film, 1.8K ohm 1/8W ±5%	002-108-5-182
R-146,9,146	Resistor, Carbon Film, 1.8K ohm 1/8W ±5%	002-108-5-182
R-115	Resistor, Carbon Film, 3.3K ohm 1/8W ±5%	002-108-5-332
R-52,57,96,180	Resistor, Carbon Film, 6.8K ohm 1/8W ±5%	002-108-5-682
R-27	Resistor, Carbon Film, 10K ohm 1/8W ±5%	002-108-5-103
R-67	Resistor, Carbon Film, 330K ohm 1/8W ±5%	002-108-5-334
CAPACITORS		
C-109,13	Capacitor, Tantalum, 0.1µF 25V ±20%	027-035-9-001
C-7,19	Capacitor, Tantalum, 0.22µF 16V ±20%	027-035-9-002
C-62,63	Capacitor, Tantalum, 2.2µF 25V ±20%	027-031-9-001
CAPACITORS (Continued)		
C-35,37,33,138,141,202,203,204,205,135,137,136,155,156,157,152,154,173	Capacitor, Ceramic Disk, 0.0047µF 50V ±20%	020-204-9-018
C-74,48,75,67,78,94,95,96,97,98,122,123,121,129,131,133,60,99,74,01,89,181	Capacitor, Ceramic Disk, 0.01µF 50V ±20%	020-204-9-019
C-1,2,4,5,12,11,18,14,20,45,66,47,48,50,51,52,54,56,58,61,50,92,94,95,96,98,102	Capacitor, Ceramic Disk, 0.022µF 50V ±20%	020-204-9-020
C-182	Capacitor, Ceramic Disk, 0.047µF 50V ±20%	020-204-9-021
C-207	Capacitor, Ceramic Disk, 0.1µF 50V ±80%	020-204-9-022
CT-1,2,3	Trimmer Capacitor, CV-028 30P	028-051-9-001
CC-1	Capacitor Array, 1000pF 50V±5 HA-003	527-077-9-002
CRYSTALS		
X-1	Quartz Crystal, QX-077	133-014-9-001
X-4	Quartz Crystal, QX-094	133-019-9-001
X-3	Quartz Crystal, QX-083	133-019-9-002
X-2	Quartz Crystal, QX-094	133-019-9-003
MISCELLANEOUS		
FT-1	Printed Circuit Board, Main	143-008-9-001
S-403	Switch, Rotary SR-191, MODE	083-235-9-001
S-405	Switch, SLIDE SW-208, CHANNEL	084-063-9-001
S-404	Switch, SLIDE SW-145, NB/ANL	084-063-9-002
SP-401	Speaker, SP-050	580-027-9-001
M-401	Microphone, MK-091 Dynamic	582-024-9-001
J-405	Antenna Connector, JK-068	772-036-9-001
J-404	DC Power Connector, JK-104	771-029-9-001
J-403	DC Power Connector, JK-052	762-020-9-001
J-401,402	Jack, JK-089, PA SP/EXT SP	773-088-9-001
TP-1,3,6,9,10	Test Point Terminal, TP-023	772-038-9-003
TP-2,7,8	Test Point Terminal, TP-029	759-069-9-001
F-401	Fuse, Fast Acting, F5-001 4A	757-028-9-002
TP-4,5,6,7,8,9,10	Test Point Terminal, TP-027	757-028-9-002
TP-1,3,6,9,10	Test Point Terminal, TP-027	757-028-9-002
TP-2,7,8	Test Point Terminal, TP-029	759-069-9-001
F-401	Fuse, Fast Acting, F5-001 4A	757-028-9-002
TP-4,5,6,7,8,9,10	Test Point Terminal, TP-027	757-028-9-002
TP-1,3,6,9,10	Test Point Terminal, TP-029	759-069-9-001
TP-2,7,8	Test Point Terminal, TP-027	757-028-9-002
F-401	Fuse, Fast Acting, F5-001 4A	757-028-9-002
TP-4,5,6,7,8,9,10	Test Point Terminal, TP-027	757-028-9-002
TP-1,3,6,9,10	Test Point Terminal, TP-029	759-069-9-001
TP-2,7,8	Test Point Terminal, TP-027	757-028-9-002
F-401	Fuse, Fast Acting, F5-001 4A	757-028-9-002
TP-4,5,6,7,8,9,10	Test Point Terminal, TP-027	757-028-9-002
TP-1,3,6,9,10	Test Point Terminal, TP-029	759-069-9-001
TP-2,7,8	Test Point Terminal, TP-027	757-028-9-002
F-401	Fuse, Fast Acting, F5-001 4A	757-028-9-002
TP-4,5,6,7,8,9,10	Test Point Terminal, TP-027	757-028-9-002
TP-1,3,6,9,10	Test Point Terminal, TP-029	759-069-9-001
TP-2,7,8	Test Point Terminal, TP-027	757-028-9-002
F-401	Fuse, Fast Acting, F5-001 4A	757-028-9-002
TP-4,5,6,7,8,9,10	Test Point Terminal, TP-027	757-028-9-002
TP-1,3,6,9,10	Test Point Terminal, TP-029	759-069-9-001
TP-2,7,8	Test Point Terminal, TP-027	757-028-9-002
F-401	Fuse, Fast Acting, F5-001 4A	757-028-9-002
TP-4,5,6,7,8,9,10	Test Point Terminal, TP-027	757-028-9-002
TP-1,3,6,9,10	Test Point Terminal, TP-029	759-069-9-001
TP-2,7,8	Test Point Terminal, TP-027	757-028-9-002
F-401	Fuse, Fast Acting, F5-001 4A	757-028-9-002
TP-4,5,6,7,8,9,10	Test Point Terminal, TP-027	757-028-9-002
TP-1,3,6,9,10	Test Point Terminal, TP-029	759-069-9-001
TP-2,7,8	Test Point Terminal, TP-027	757-028-9-002
F-401	Fuse, Fast Acting, F5-001 4A	757-028-9-002
TP-4,5,6,7,8,9,10	Test Point Terminal, TP-027	757-028-9-002
TP-1,3,6,9,10	Test Point Terminal, TP-029	759-069-9-001
TP-2,7,8	Test Point Terminal, TP-027	757-028-9-002
F-401	Fuse, Fast Acting, F5-001 4A	757-028-9-002
TP-4,5,6,7,8,9,10	Test Point Terminal, TP-027	757-028-9-002
TP-1,3,6,9,10	Test Point Terminal, TP-029	759-069-9-001
TP-2,7,8	Test Point Terminal, TP-027	757-028-9-002
F-401	Fuse, Fast Acting, F5-001 4A	757-028-9-002
TP-4,5,6,7,8,9,10	Test Point Terminal, TP-027	757-028-9-002
TP-1,3,6,9,10	Test Point Terminal, TP-029	759-069-9-001
TP-2,7,8	Test Point Terminal, TP-027	757-028-9-002
F-401	Fuse, Fast Acting, F5-001 4A	757-028-9-002
TP-4,5,6,7,8,9,10	Test Point Terminal, TP-027	757-028-9-002
TP-1,3,6,9,10	Test Point Terminal, TP-029	759-069-9-001
TP-2,7,8	Test Point Terminal, TP-027	757-028-9-002
F-401	Fuse, Fast Acting, F5-001 4A	757-028-9-002
TP-4,5,6,7,8,9,10	Test Point Terminal, TP-027	757-028-9-002
TP-1,3,6,9,10	Test Point Terminal, TP-029	759-069-9-001
TP-2,7,8	Test Point Terminal, TP-027	757-028-9-002
F-401	Fuse, Fast Acting, F5-001 4A	757-028-9-002
TP-4,5,6,7,8,9,10	Test Point Terminal, TP-027	757-028-9-002
TP-1,3,6,9,10	Test Point Terminal, TP-029	759-069-9-001
TP-2,7,8	Test Point Terminal, TP-027	757-028-9-002
F-401	Fuse, Fast Acting, F5-001 4A	757-028-9-002
TP-4,5,6,7,8,9,10	Test Point Terminal, TP-027	757-028-9-002
TP-1,3,6,9,10	Test Point Terminal, TP-029	759-069-9-001
TP-2,7,8	Test Point Terminal, TP-027	757-028-9-002
F-401	Fuse, Fast	