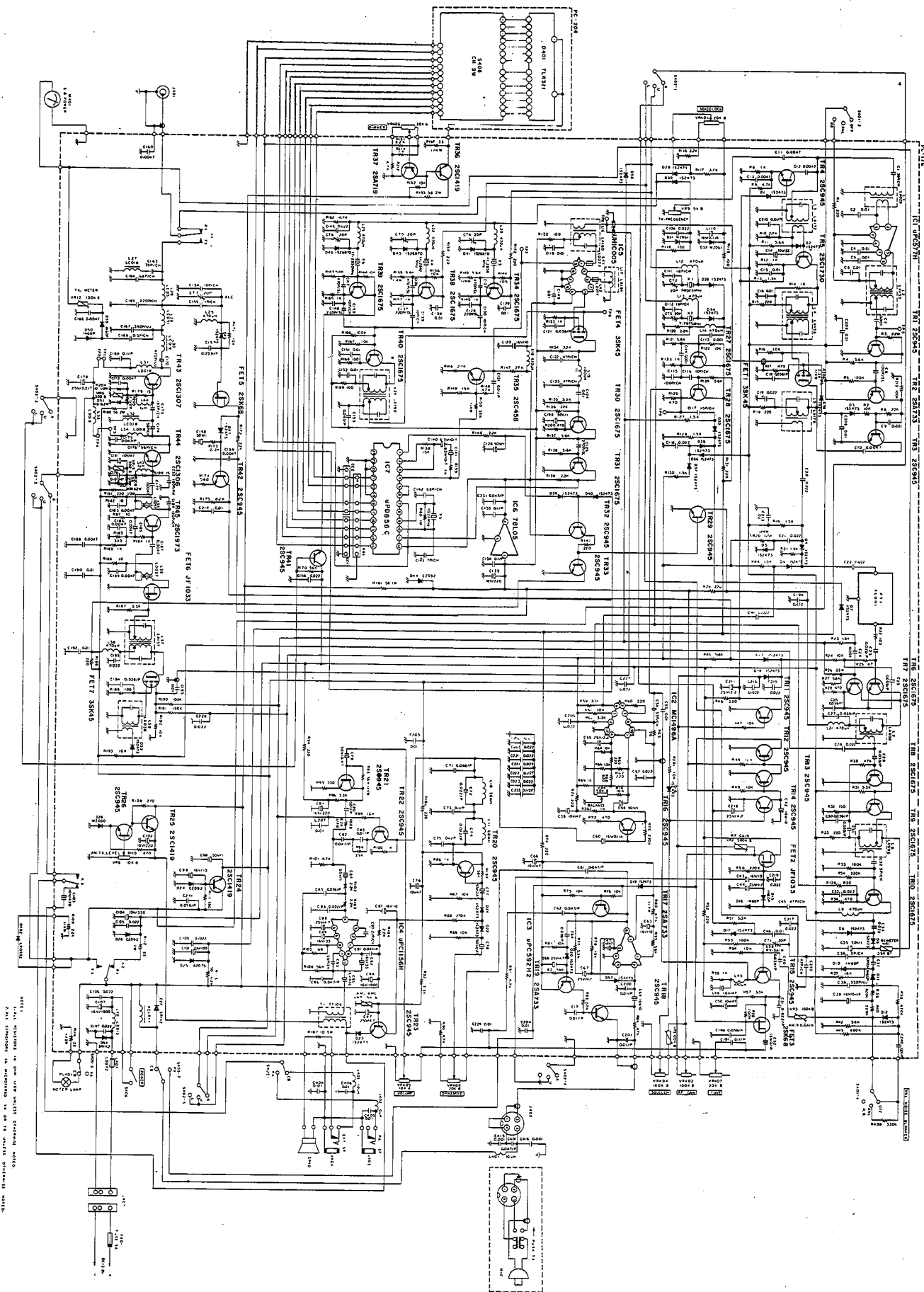


CIRCUIT DIAGRAM FOR COBRA 138XLR



1. ALL PARTS TO BE USED WITH ORIGINAL PARTS.
2. ALL PARTS TO BE USED WITH ORIGINAL PARTS.

BILLS OF MATERIAL FOR COBRA 138XLR

CIRCUIT SYMBOL	DESCRIPTION	DYNASCAN PART NO.
TR-1, 3, 4, 11, 12, 13	IC, TRANSISTORS & DIODES	176-069-003
TR-5	Transistor 2SC945 (A) P	176-069-001
TR-6, 7, 8, 9, 10, 27	Transistor 2SC1675 L	176-065-9-001
TR-35	Transistor 2SC458 C	176-049-9-002
TR-4	Transistor 2SC1730 L	176-073-9-001
TR-43	Transistor 2SC1307 (1)	176-073-9-002
TR-44	Transistor 2SC2306	172-024-9-002
TR-2, 17, 19	Transistor 2SC1973	176-073-9-003
TR-24, 25, 38	Transistor 2SA733 P	177-020-9-001
TR-37	Transistor 2SC1419 C	176-069-004
TR-37	Transistor 2SA719 P	177-020-9-001
FET-3, 5	FET 2SK68A M	182-044-9-001
FET-2, 6	FET JF 1033 Rtd	182-044-9-002
FET-1, 7	FET 2SK45 (B) -09	182-138-9-001
FET-4	FET 2SK45 (B) -09	182-042-9-001
IC-1	Integrated Circuit μ PC557H	307-112-9-007
IC-2	Integrated Circuit MCI496A	307-112-9-005
IC-3	Integrated Circuit μ PC592H2	307-112-9-006
IC-4	Integrated Circuit μ PC1156H	307-112-9-001
IC-5	Integrated Circuit μ PC78L05	307-112-9-002
IC-6	Integrated Circuit μ PC78L05	307-112-9-003
IC-7	Integrated Circuit μ PCD859C	307-112-9-004
D-10, 11, 15, 16, 50, 59	P Diode 1N40P (12.5) Forming	150-006-9-001
D-9, 31, 58, 6, 7, 12	P Diode 1S2473 (12.5) Forming	151-069-9-001
D-1, 2, 17, 18, 19	P Diode 1S2473 (10) Forming	151-064-9-002
20, 21, 22, 23, 29	30, 33, 34, 35, 36	
30, 33, 34, 35, 36	38, 39, 40, 46, 47,	
53, 58		
D-57	Diode 1S2473	151-035-9-003
D-27, 54	Diode SR1K-2	151-045-9-001
D-401	Diode TLR321	158-014-9-001
D-402	Diode LRO702R	151-064-9-003
D-25	Zener BZ 075	152-079-9-004
D-24, 28, 44	Zener CZ 092	152-051-9-001
D-32	Zener WZ 080 (10) Forming	152-079-9-001
D-31	Zener WZ 081 (10) Forming	152-079-9-002
D-31, 43, 45	Varicap K8-102M Forming	152-089-9-003
D-31, 52	Varicap K8-102M	153-008-9-002
L-1	Coil LA-029	060-023-9-001
L-7, 39	Coil LA-038	060-018-9-001

CIRCUIT SYMBOL	DESCRIPTION	DYNASCAN PART NO.
L-8	Coil LA-096	060-018-9-003
L-3	Coil LA-152	060-023-9-002
L-2	Coil LA-156	060-023-9-003
L-4	Coil LA-157	060-023-9-004
L-37	Coil LA-160	060-023-9-005
L-16	Coil LA-176	046-018-9-001
L-5	Coil LA-179	046-018-9-002
L-24	Coil LA-090	046-018-9-003
L-17	Coil LA-191	046-018-9-004
L-401, 402, 403	Coil LD-046	046-018-9-005
L-27, 32	Coil LEC018	046-018-9-006
L-30	Coil LEC019	046-018-9-007
L-40, 33, 34	Coil LD-018	046-018-9-008
L-31, 33, 34	Coil LD-019	046-018-9-009
L-20, 38	Coil LD-052	046-018-9-009
L-28, 29	Coil LD-027	046-018-9-011
L-19	Coil LE-051	046-018-9-012
L-9, 12, 13, 14, 15, 18, 20	Micro Inductor LZ-012 100 μ H	041-068-9-001
21, 22, 23, 25, 38	Micro Inductor LZ-012 56 μ H	041-068-9-002
L-10	Micro Inductor LZ-015 56 μ H	041-068-9-003
L-11	Micro Inductor LZ-015 69 μ H	041-068-9-004
L-43, 44	Micro Inductor LZ-002 1 μ H	041-068-9-005
T-1	Output Trans TF-106	061-032-9-001
L-41, 42	Bead Core LD-007	763-080-9-003
VR-7, 9	Variable Resistor RV-135 5K B	008-307-9-001
VR-8	Semi fixed resistor RV-135 10K B	008-307-9-002
VR-1	Semi fixed resistor RV-135 20K B	008-307-9-003
VR-2, 3, 5, 12	Semi fixed resistor RV-135 25K B	008-307-9-004
VR-15, 16	Semi fixed resistor RV-135 100K B	008-307-9-005
VR-405	Semi fixed resistor RV-135 300 B	008-307-9-006
VR-402, 404	Variable resistor RV-138	008-307-9-007
VR-406, 407	Variable resistor RV-049	008-307-9-008
	Variable resistor RV-049	008-283-9-002
	Variable resistor RV-197	008-307-9-009

CIRCUIT SYMBOL	DESCRIPTION	DYNASCAN PART NO.
R-126	P Carbon resistor (Forming type) 820 1/8W J 12.5	002-108-5-821
R-7, 182, 186	Carbon resistor (Forming type) 107 1/8W J 12.5	002-108-5-100
R-29, 189	Carbon resistor (Forming type) 157 1/8W J 12.5	002-108-5-150
R-25	Carbon resistor (Forming type) 520 1/8W J 12.5	002-108-5-520
R-83	Carbon resistor (Forming type) 47 1/8W J 12.5	002-108-5-470
R-105	Carbon resistor (Forming type) 56 1/8W J 12.5	002-108-5-560
R-22, 118, 119, 132,	Carbon resistor (Forming type) 68 1/8W J 12.5	002-108-5-680
168, 169, 189	Carbon resistor (Forming type) 100 1/8W J 12.5	002-108-5-101
R-32	Carbon resistor (Forming type) 150 1/8W J 12.5	002-108-5-151
R-1, 18, 29, 33, 52, 56,	Carbon resistor (Forming type) 220 1/8W J 12.5	002-108-5-221
60, 65, 71, 74, 94,		
131, 141, 142, 154,		
183, 198		
R-108	Carbon resistor (Forming type) 220 1/8W J 12.5	002-108-5-221
R-46, 95, 183	Carbon resistor (Forming type) 330 1/8W J 12.5	002-108-5-331
R-11, 18, 36, 72, 110	Carbon resistor (Forming type) 350 1/8W J 12.5	002-108-5-351
R-7, 18, 36, 72, 110	Carbon resistor (Forming type) 470 1/8W J 12.5	002-108-5-471
R-62, 220	Carbon resistor (Forming type) 820 1/8W J 12.5	002-108-5-821
R-208	U Carbon resistor 8 2K 1/4W J	002-104-5-822
R-20	U Carbon resistor 1 5K 1/4W J	002-104-5-152
R-4, 12, 14, 55, 69, 86,	Carbon resistor (Forming type) 1K 1/8W J 12.5	002-108-5-102
100, 123, 133, 145,		
157, 159, 165, 184,		
185, 202		
R-99	Carbon resistor (Forming type) 1.2K 1/8W J 12.5	002-108-5-122
R-13, 19, 21, 23, 44, 66,	Carbon resistor (Forming type) 1.5K 1/8W J 12.5	002-108-5-152
127, 128, 130		
R-47, 102, 103, 116,	Carbon resistor (Forming type) 2.2K 1/8W J 12.5	002-108-5-222
120, 134, 140, 173,		
138		
R-10, 83, 90, 117, 146	Carbon resistor (Forming type) 2.7K 1/8W J 12.5	002-108-5-272
R-31, 51, 59, 62, 77,	Carbon resistor (Forming type) 3.3K 1/8W J 12.5	002-108-5-332
92, 96, 135, 187		
R-9, 84, 91, 101,	Carbon resistor (Forming type) 4.7K 1/8W J 12.5	002-108-5-472
162, 212		
R-4, 11, 27, 45, 121	Carbon resistor (Forming type) 5.6K 1/8W J 12.5	002-108-5-562
163, 137, 138		
R-75, 151, 183	Carbon resistor (Forming type) 8.2K 1/8W J 12.5	002-108-5-822
R-2, 16, 24, 48, 49, 54,	Carbon resistor (Forming type) 10K 1/8W J 12.5	002-108-5-103
81, 84, 90, 93, 97,		
144, 153, 156, 164,		
167, 182, 183, 201, 89		
R-149, 158, 78	Carbon resistor (Forming type) 15K 1/8W J 12.5	002-108-5-153
R-37	Carbon resistor (Forming type) 18K 1/8W J 12.5	002-108-5-183
R-6, 26, 136, 172, 104	Carbon resistor (Forming type) 22K 1/8W J 12.5	002-108-5-223
R-147	Carbon resistor (Forming type) 27K 1/8W J 12.5	002-108-5-273
R-30, 148	Carbon resistor (Forming type) 47K 1/8W J 12.5	002-108-5-473
R-82, 106, 124, 170,	Carbon resistor (Forming type) 56K 1/8W J 12.5	002-108-5-563
194, 198		
R-5, 35, 39, 53, 58,	Carbon resistor (Forming type) 100K 1/8W J 12.5	002-103-5-104
75, 166, 190		

CIRCUIT SYMBOL	DESCRIPTION	DYNASCAN PART NO.
C-93, 142, 164	Ceramic Condenser 68P 50V J CH	020-175-9-022
C-118	Ceramic Condenser 100P 50V K CH	020-128-9-007
C-184	Ceramic Condenser 120P 50V K CH	020-128-9-011
C-186	Ceramic Condenser 120P 50V K CH	020-128-9-011
C-172	Ceramic Condenser 150P 50V K CH	020-175-9-002
C-125	Ceramic Condenser 270P 50V K SL	020-175-9-003
C-8	Ceramic Condenser 100P 50V K SL	020-128-9-007
C-128, 137, 148	Ceramic Condenser 220P 50V K SL	020-128-9-005
C-127, 136, 147	Ceramic Condenser 470P 50V K SL	020-175-9-004
C-170	Ceramic Condenser 330P 50V K LU	020-175-9-005
C-170	Ceramic Condenser 470P 50V K LU	020-175-9-006
C-167	Ceramic Condenser 390P 50V K HH	020-175-9-007
C-232	Ceramic Condenser 180P 50V K HH	020-175-9-008
C-7, 9, 24, 113, 114, 415, 416	Ceramic Condenser 0.0047 μ 50V K B	020-175-9-009
C-10, 11, 12, 13, 159, 160	Ceramic Condenser 0.0047 μ 50V K B	020-175-9-010
156, 172, 177, 178, 183		
185, 186, 187, 188, 189		
C-2, 4, 5, 6, 16, 16, 46	Ceramic Condenser 0.01 μ 50V K B	020-175-9-011
119, 124, 195, 129, 138		
149, 151, 152, 190, 192		
144, 405, 207, 208, 209		
C-19, 20, 21, 22, 28, 33	Ceramic Condenser 0.022 μ 50V Z ZF	020-175-9-001
34, 41, 57, 100, 105, 106		
109, 118, 146, 156, 183		
196, 197, 202, 203, 215		
216, 217, 219, 220, 221		
223, 227, 228, 406, 407		
408, 206		
C-213, 222, 233	Ceramic Condenser 0.1 μ 50V Z ZF	020-161-9-029
C-179	Tantalum Condenser 2.2 μ 25V M	027-021-9-001
C-140, 141	Tantalum Condenser 10 μ 63V M	027-021-9-002
CT-1, 2, 3, 4, 5, 6, 7	Trimmer Condenser CV-020 20P	028-013-9-000
CT-1	Crystal Filter FL-001	143-004-9-000
RB-1	Component parts HA-004	527-075-9-001
CC-1, 2	Component parts HA-003	527-075-9-002

CIRCUIT SYMBOL	DESCRIPTION	DYNASCAN PART NO.
R-153	Carbon resistor (Forming type) 150K 1/8W J 12.5	002-108-5-154
R-114	Carbon resistor (Forming type) 220K 1/8W J 12.5	002-108-5-224
R-181	Carbon resistor (Forming type) 270K 1/8W J 12.5	002-108-5-274
R-109, 209	Carbon resistor (Forming type) 820K 1/8 J	002-108-5-824
R-187	Carbon resistor (Forming type) 1M 1/8 J	002-108-5-1000
R-204	Carbon resistor (Forming type) 1M 1/8 J	002-108-5-1000
R-205	Carbon resistor (Forming type) 2.2M 1/8W J 12.5	002-108-5-225
R-80	Carbon resistor (Forming type) 10 5W K	013-014-9-001
R-143, 185	Carbon resistor (Forming type) 56 2W K	013-014-9-002
R-150	Carbon resistor (Forming type) 33 1W K	013-014-9-003
R-208	Carbon resistor (Forming type) 56 1W K	013-014-9-004
R-19	Carbon resistor (Forming type) 560 1/8W J	013-014-9-005
R-113	Carbon resistor (Forming type) 68 1W K	013-014-9-005
C-77, 78, 79	Electrolytic Capacitor 0.47 μ 50V	022-182-9-003
C-35, 58, 89, 94, 128	Electrolytic Capacitor 1 μ 50V K	022-182-9-004
C-88, 211	Electrolytic Capacitor 2.2 μ 25V	022-123-9-002
C-85, 211	Electrolytic Capacitor 4.7 μ 25V	022-123-9-003
C-42, 43, 53, 69, 87, 98	Electrolytic Capacitor 10 μ 18V	022-120-9-001
C-120	Electrolytic Capacitor 33 μ 10V	022-122-9-005
C-89, 92	Electrolytic Capacitor 33 μ 18V	022-132-9-005
C-47, 49, 50, 59, 66, 76	Electrolytic Capacitor 47 μ 10V	022-120-9-002
C-101	Electrolytic Capacitor 100 μ 10V	022-122-9-007
C-102, 135, 402	Electrolytic Capacitor 220 μ 10V	022-122-9-009
C-81	Electrolytic Capacitor 220 μ 18V	022-122-9-008
C-104	Electrolytic Capacitor 330 μ 10V	022-122-9-011
C-103	Electrolytic Capacitor 470 μ 10V	002-152-9-001
C-97	Electrolytic Capacitor 470 μ 16V	022-099-9-006
C-94, 107	Electrolytic Capacitor 1.00 μ 16V	022-152-9-002
C-39, 52, 110, 60	Aluminum Condenser 0.1 μ 18V M	033-025-9-001
C-10, 80, 73, 74, 98	Aluminum Condenser 0.01 μ 50V K	025-087-9-001
C-18, 21, 26, 27, 29, 30	Mylar Condenser 0.022 μ 50V K	025-071-9-002
C-31, 40, 64, 171, 189	Mylar Condenser 0.039 μ 50V K	025-093-9-001
184, 186, 96		
C-71	Mylar Condenser 0.068 μ 50V K	025-115-9-001
C-73, 75, 133, 134, 191	Mylar Condenser 0.1 μ 50V K	025-074-9-007
169		
C-117, 185	Mylar Condenser 0.047 μ 50V K	025-115-9-002
C-32, 36, 37	Ceramic Condenser 1P 50V C CH	020-161-9-002
C-143	Ceramic Condenser 7P 50V D CH	020-175-9-012
C-116, 130, 139, 150, 154	Ceramic Condenser 10P 50V J CH	020-175-9-013
C-168	Ceramic Condenser 0.1 μ 50V C CH	020-175-9-016
C-111, 112	Ceramic Condenser 18P 50V J CH	020-175-9-015
C-84	Ceramic Condenser 22P 50V J CH	020-